

D2000.SHX Curve LED downlight Datasheet

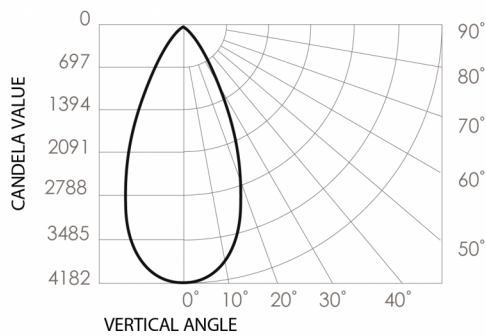


Product codes

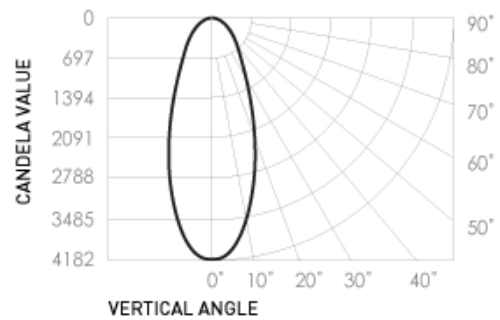
| Unit: | Series: | Colour temp.: | Beam angle (°): | Colour: |
|-----------|---------|---------------|-----------------|-----------|
| D2000.SHX | CR | 2.7K | 24 | B (Black) |
| | | 3K | 38 | W (White) |
| | | 4K | 45 | |
| | | 5K | 55 | |

Photometrics

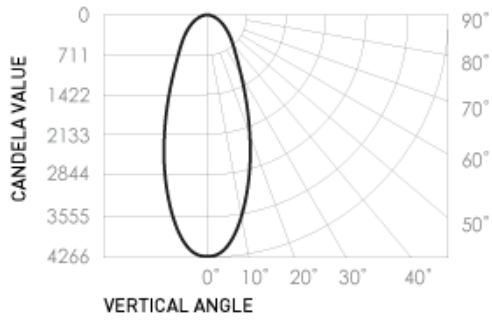
Standard Products



Source lumen output: 2100lm
Delivered lumen: 2000lm
Efficacy: 83lm/W
Colour temp.: 3000K
Beam angle: 55°
CRI: 97
Standard Deviation of colour matching (SDCM): 2MacAdams Steps

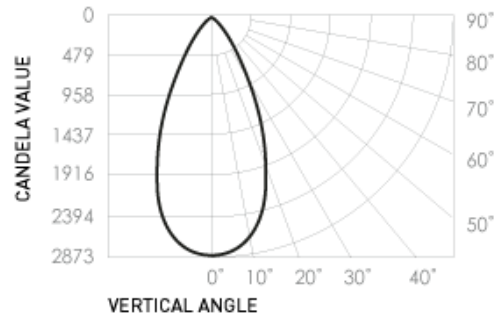


Source lumen output: 2100lm
Delivered lumen: 2000lm
Efficacy: 83lm/W
Colour temp.: 3000K
Beam angle: 45°
CRI: 97
Standard Deviation of colour matching (SDCM): 2MacAdams Steps



Source lumen output: 2140lm
 Delivered lumen: 2040lm
 Efficacy: 85lm/W
 Colour temp.: 4000K
 Beam angle: 45°
 CRI: 97

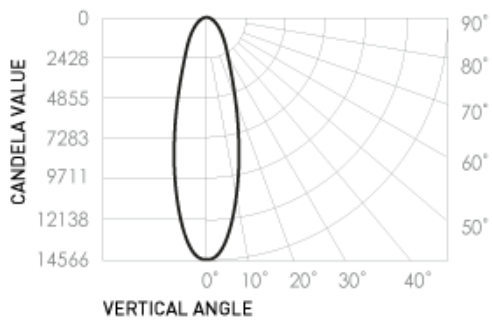
Standard Deviation of colour matching (SDCM): 2MacAdams Steps



Source lumen output: 2140lm
 Delivered lumen: 2040lm
 Efficacy: 85lm/W
 Colour temp.: 4000K
 Beam angle: 55°
 CRI: 97

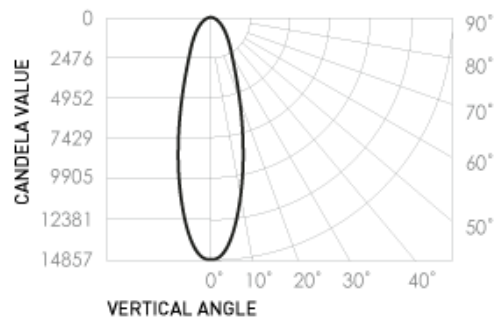
Standard Deviation of colour matching (SDCM): 2MacAdams Steps

Special Order Products



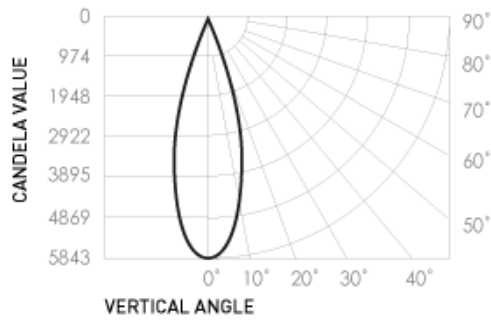
Source lumen output: 2100lm
 Delivered lumen: 2000lm
 Efficacy: 83lm/W
 Colour temp.: 3000K
 Beam angle: 24 (Special Order)°
 CRI: 97

Standard Deviation of colour matching (SDCM): 2MacAdams Steps



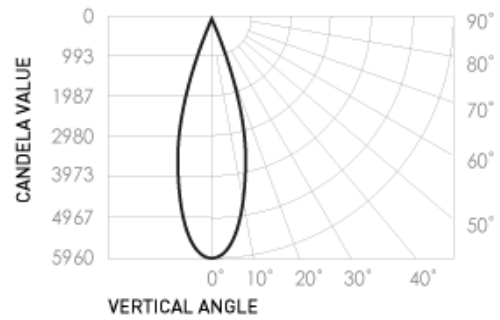
Source lumen output: 2140lm
 Delivered lumen: 2040lm
 Efficacy: 85lm/W
 Colour temp.: 4000K
 Beam angle: 24 (Special Order)°
 CRI: 97

Standard Deviation of colour matching (SDCM): 2MacAdams Steps



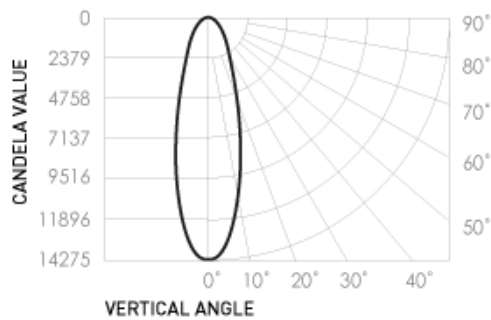
Source lumen output: 2100lm
 Delivered lumen: 2000lm
 Efficacy: 83lm/W
 Colour temp.: 3000K
 Beam angle: 38 (Special Order)°
 CRI: 97

Standard Deviation of colour matching (SDCM): 2MacAdams Steps



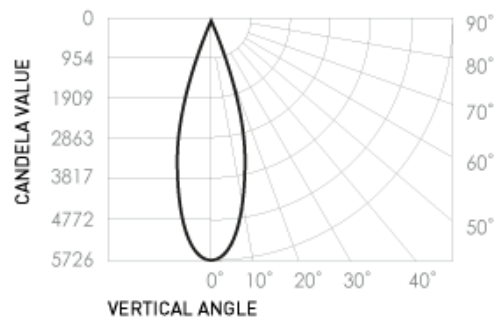
Source lumen output: 2140lm
 Delivered lumen: 2040lm
 Efficacy: 85lm/W
 Colour temp.: 4000K
 Beam angle: 38 (Special Order)°
 CRI: 97

Standard Deviation of colour matching (SDCM): 2MacAdams Steps



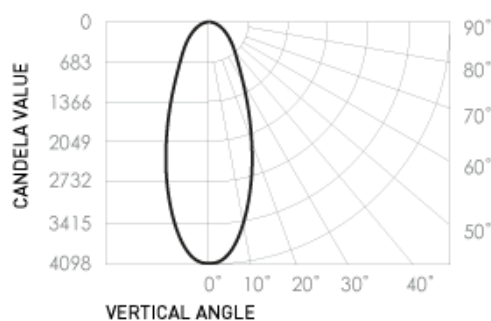
Source lumen output: 2055lm
 Delivered lumen: 1960lm
 Efficacy: 82lm/W
 Colour temp.: 2700K (Special Order)
 Beam angle: 24 (Special Order)°
 CRI: 97

Standard Deviation of colour matching (SDCM): 2MacAdams Steps



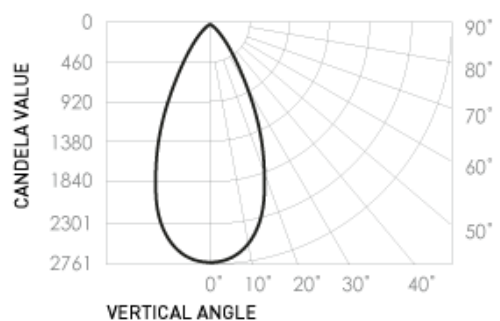
Source lumen output: 2055lm
 Delivered lumen: 1960lm
 Efficacy: 82lm/W
 Colour temp.: 2700K (Special Order)
 Beam angle: 38 (Special Order)°
 CRI: 97

Standard Deviation of colour matching (SDCM): 2MacAdams Steps



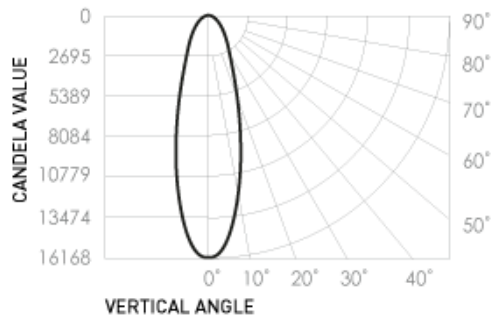
Source lumen output: 2055lm
 Delivered lumen: 1960lm
 Efficacy: 82lm/W
 Colour temp.: 2700K (Special Order)
 Beam angle: 45°
 CRI: 97

Standard Deviation of colour matching (SDCM): 2MacAdams Steps



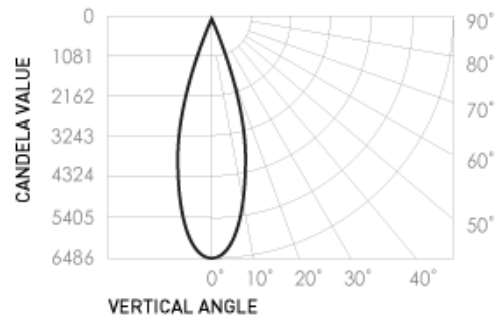
Source lumen output: 2055lm
 Delivered lumen: 1960lm
 Efficacy: 82lm/W
 Colour temp.: 2700K (Special Order)
 Beam angle: 55°
 CRI: 97

Standard Deviation of colour matching (SDCM): 2MacAdams Steps



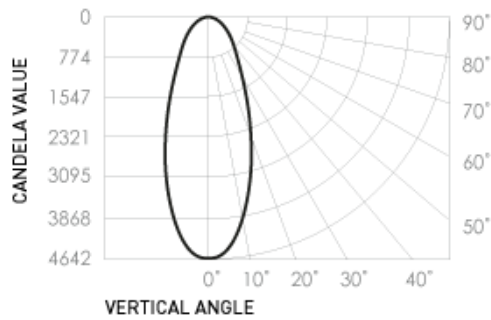
Source lumen output: 2330lm
 Delivered lumen: 2220lm
 Efficacy: 93lm/W
 Colour temp.: 5000K (Special Order)
 Beam angle: 24 (Special Order)°
 CRI: 97

Standard Deviation of colour matching (SDCM): 2MacAdams Steps



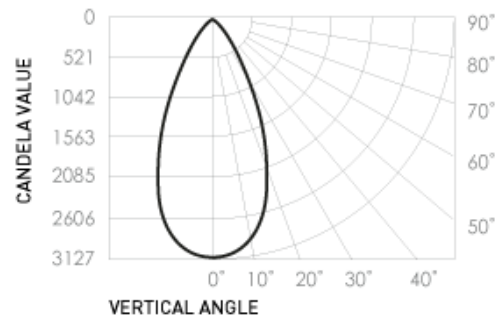
Source lumen output: 2330lm
 Delivered lumen: 2220lm
 Efficacy: 93lm/W
 Colour temp.: 5000K (Special Order)
 Beam angle: 38 (Special Order)°
 CRI: 97

Standard Deviation of colour matching (SDCM): 2MacAdams Steps



Source lumen output: 2330lm
 Delivered lumen: 2220lm
 Efficacy: 93lm/W
 Colour temp.: 5000K (Special Order)
 Beam angle: 45°
 CRI: 97

Standard Deviation of colour matching (SDCM): 2MacAdams Steps

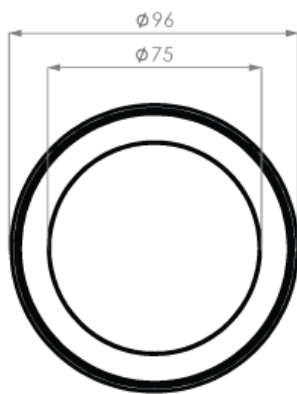


Source lumen output: 2330lm
 Delivered lumen: 2220lm
 Efficacy: 93lm/W
 Colour temp.: 5000K (Special Order)
 Beam angle: 55°
 CRI: 97

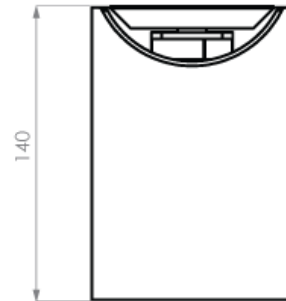
Standard Deviation of colour matching (SDCM): 2MacAdams Steps

Dimensions (mm)

Front view



Side view



Electrical

| | | | | |
|-----------------------------------|---|--------------------------------------|---------------------------|-----------------------------------|
| Input voltage: 220-240V | Power usage: 24W | Driver power factor: >0.95 | IP rating: IP44 | Surge protection: 3100V |
| Dimmable: Yes | Driver: PHASE (-PHASE) DALI (-DALI) ZIGBEE 3.0 (-ZIGBEE) CASAMBI (-CASAMBI) 0-10V (-010V) | | | |

Operational

| | | | |
|--------------------------------------|---|--|--------------------------------|
| Ambient temp.: -28 to 70°C | Lifetime L70, B10: 70,000 hrs (@TA25) | Source Lumens: 2100lm or 2140lm or 2055lm or 2330lm | SDCM: 2MacAdam Steps |
|--------------------------------------|---|--|--------------------------------|

Physical

| | | |
|----------------------------------|-----------------------------|------------------------|
| Gimbal angle: 90°/360° | Warranty: 7 years | Version: 1.5 |
|----------------------------------|-----------------------------|------------------------|

Compatibility

Recommended Dimmers:

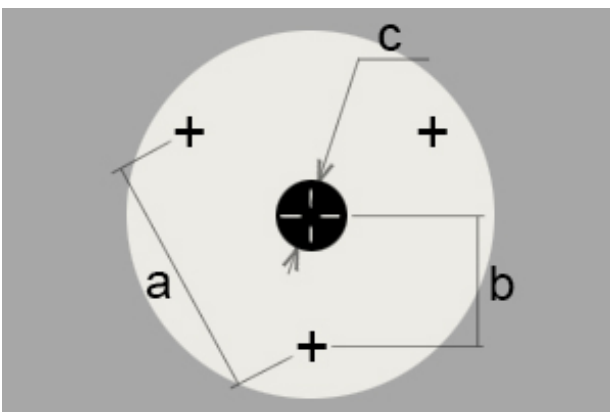
Compatible with leading home automation systems and dimmers.

Recommended Dimmers:

Universal, Trailing Edge, Leading Edge.

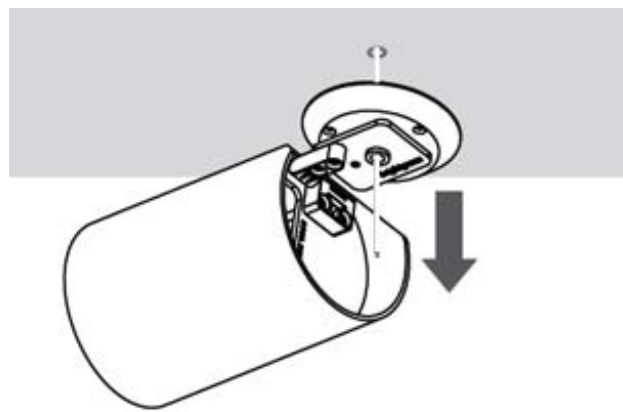
*For more details please refer to:
<https://brightgreen.com/digital-driver>
All systems are unique, please
call 1300 672 499 for advice on your installation.

Installation



Step 1

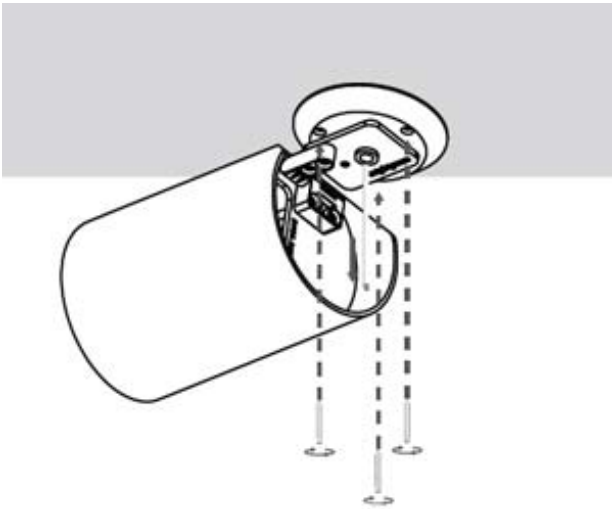
Using the base plate as a guide, pilot hole the points where the 3 mounting screws will be drilled in



Step 2

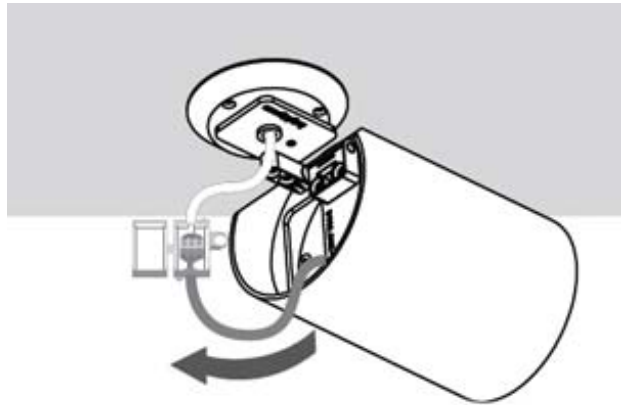
Thread the power cable through the base plate and align the base plate to the ceiling.

Installation



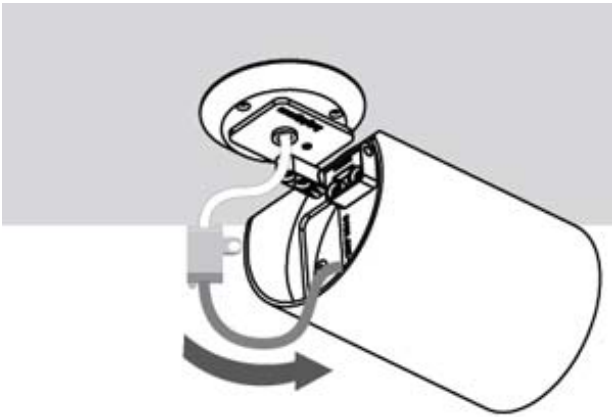
Step 3

Fasten the base plate to the ceiling using the 3 mounting screws.



Step 4

Remove the junction box cover from the back of the luminaire and connect the power cable. □



Step 5

Reattach the cover of junction box and return it into the luminaire. □

Once the light is installed, orient the luminaire to focus the light as required.