

D400.SHX Linear LED downlight

Datasheet

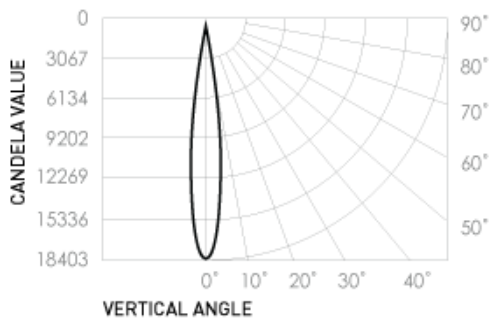


Product codes

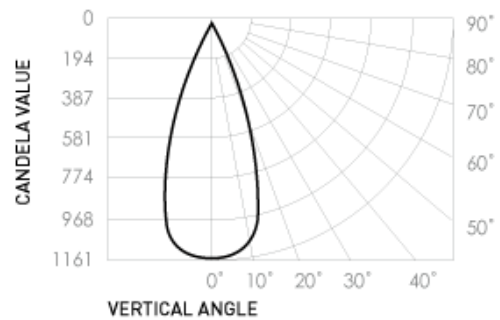
Unit:	Series:	Colour temp.:	Beam angle (°):	Colour:
D400.SHX	LN	2.7K 3K 4K 5K	10 40	B (Black) W (White)

Photometrics

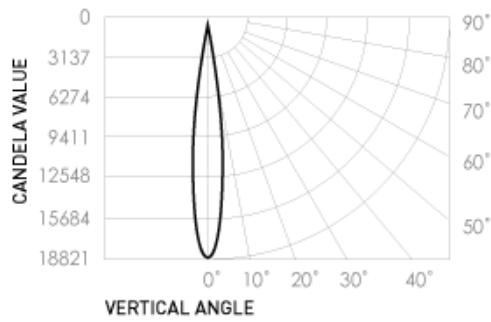
Standard Products



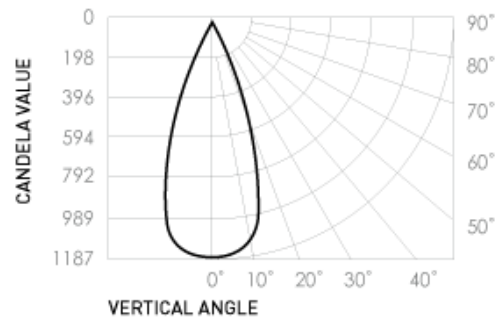
Source lumen output: 480lm
Delivered lumen: 440lm
Efficacy: 55lm/W
Colour temp.: 3000K
Beam angle: 10°
Standard Deviation of colour matching (SDCM): 0MacAdams Steps



Source lumen output: 480lm
Delivered lumen: 440lm
Efficacy: 55lm/W
Colour temp.: 3000K
Beam angle: 40°
Standard Deviation of colour matching (SDCM): 0MacAdams Steps

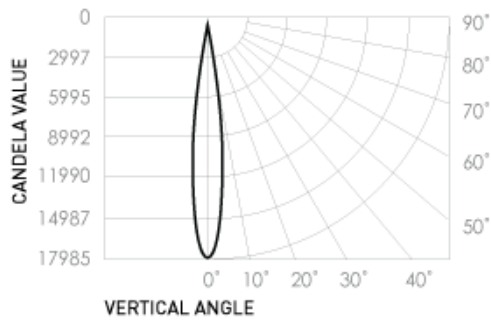


Source lumen output: 490lm
 Delivered lumen: 450lm
 Efficacy: 56lm/W
 Colour temp.: 4000K
 Beam angle: 10°
 Standard Deviation of colour matching (SDCM): 0MacAdams Steps

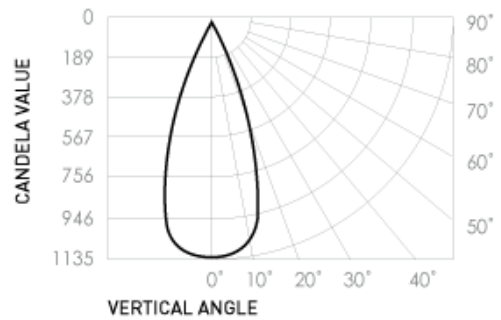


Source lumen output: 490lm
 Delivered lumen: 450lm
 Efficacy: 56lm/W
 Colour temp.: 4000K
 Beam angle: 40°
 Standard Deviation of colour matching (SDCM): 0MacAdams Steps

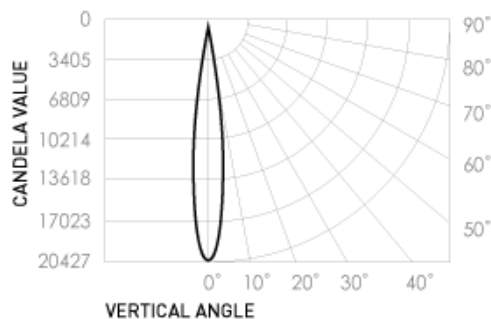
Special Order Products



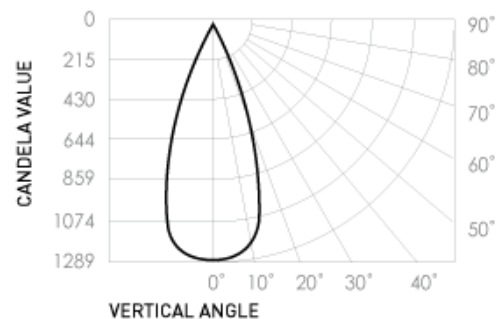
Source lumen output: 470lm
 Delivered lumen: 430lm
 Efficacy: 54lm/W
 Colour temp.: 2700K (Special Order)
 Beam angle: 10°
 Standard Deviation of colour matching (SDCM): 0MacAdams Steps



Source lumen output: 470lm
 Delivered lumen: 430lm
 Efficacy: 54lm/W
 Colour temp.: 2700K (Special Order)
 Beam angle: 40°
 Standard Deviation of colour matching (SDCM): 0MacAdams Steps



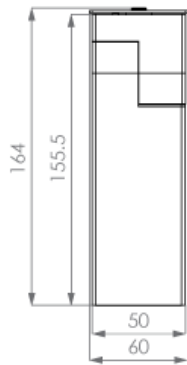
Source lumen output: 535lm
 Delivered lumen: 490lm
 Efficacy: 61lm/W
 Colour temp.: 5000K (Special Order)
 Beam angle: 10°
 Standard Deviation of colour matching (SDCM): 0MacAdams Steps



Source lumen output: 535lm
 Delivered lumen: 490lm
 Efficacy: 61lm/W
 Colour temp.: 5000K (Special Order)
 Beam angle: 40°
 Standard Deviation of colour matching (SDCM): 0MacAdams Steps

Dimensions (mm)

Front view



Side view



Electrical

Input voltage: 220-240V	Power usage: 8W	IP rating: IP44	Surge protection: 3100V	Dimmable: Yes
Driver: BG-009BD-1000mA				

Operational

Operating temp.: -30 to 85°C	Average temp.: 60°C	Ambient temp.: -28 to 50°C	Lifetime L70, B10: 50,000 hrs (@TA25)	Source Lumens: 480lm or 490lm or 470lm or 535lm
----------------------------------------	-------------------------------	--------------------------------------	-------------------------------------------------	--------------------------------------------------------------

Physical

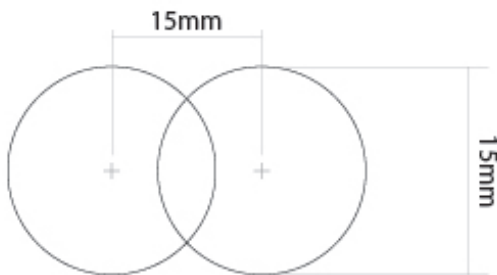
Gimbal angle: 90°/360°	Warranty: 7 years
----------------------------------	-----------------------------

Compatibility

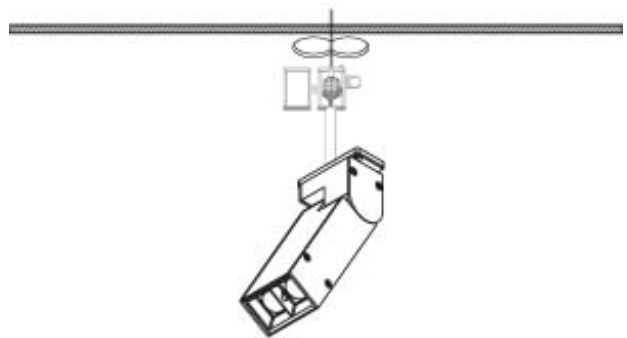
Recommended Dimmers:
"Compatible with leading home automation systems and dimmers.
Recommended Dimmers:
Universal, Trailing Edge, Leading Edge.

*For more details please refer to:
<https://brightgreen.com/digital-driver>
All systems are unique, please
call 1300 672 499 for advice on your installation."

Installation

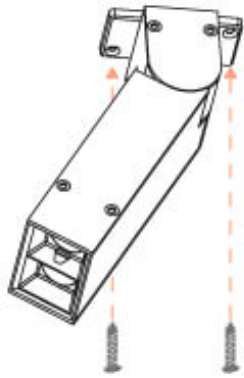


Step 1
Using a 20mm hole saw, cut two holes in the ceiling with the centre points 15mm apart at the desired location.

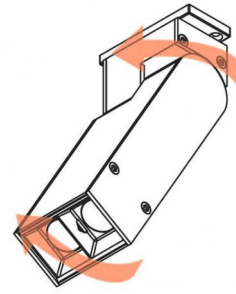


Step 2
Thread the power cable through the ceiling. Open the junction box and connect the power cable. Reattach the cover of the junction box and return it into the ceiling.

Installation



Step 3
Mount the unit to the ceiling using the 2 screws provided.



Step 4
Once the light is installed, orient the luminaire to focus the light as required.