

# D700+.Trio Curve LED downlight Datasheet

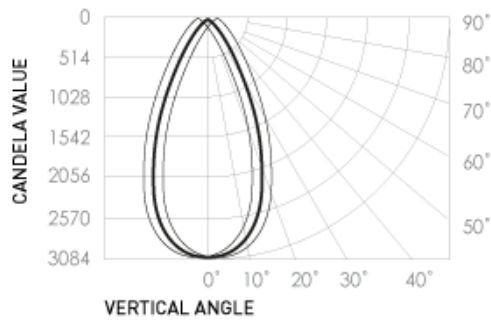


## Product codes

Unit:	Series:	Colour temp.:	Beam angle (°):	Colour:
D700+.TRIO	CR	1.8K.3.1K	20	B (Black)
		2.7K	35	W (White)
		2.8K.5.8K	55	
		3K		
		4K		
		5K		

## Photometrics

### Standard Products



Source lumen output: 2935lm

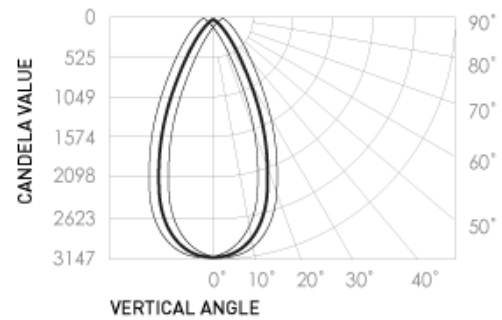
Delivered lumen: 2190lm

Efficacy: 69lm/W

Colour temp.: 3000K

Beam angle: 55°

Standard Deviation of colour matching (SDCM): 2MacAdams Steps



Source lumen output: 2995lm

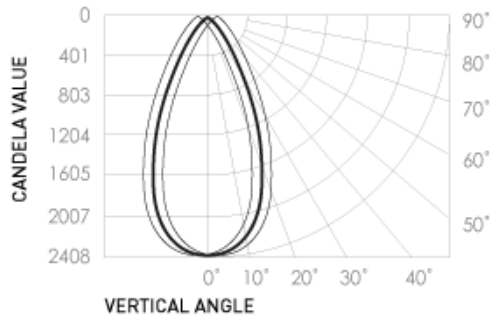
Delivered lumen: 2235lm

Efficacy: 70lm/W

Colour temp.: 4000K

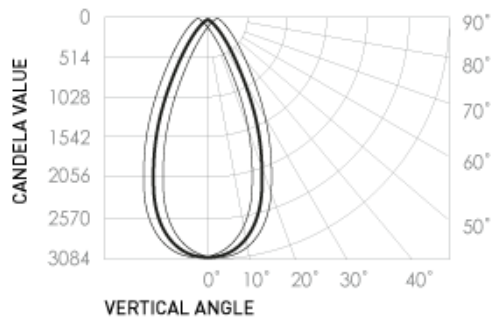
Beam angle: 55°

Standard Deviation of colour matching (SDCM): 2MacAdams Steps

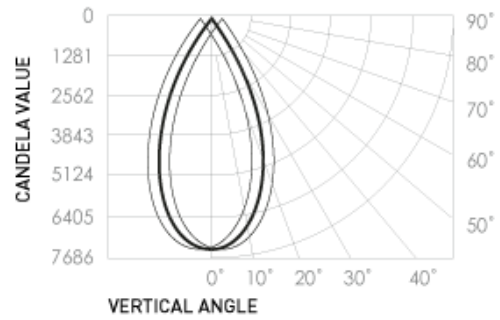


Source lumen output: 2290lm  
 Delivered lumen: 1710lm  
 Efficacy: 54lm/W  
 Colour temp.: 1.8K-3.1K (Night Shift)  
 Beam angle: 55°  
 Standard Deviation of colour matching (SDCM): 2MacAdams Steps

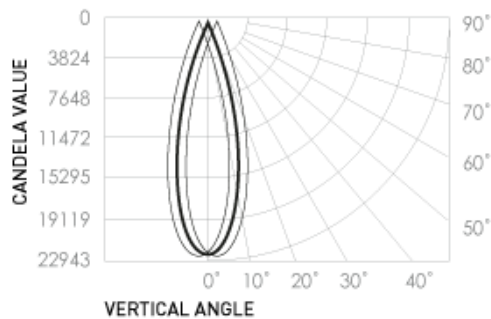
### Special Order Products



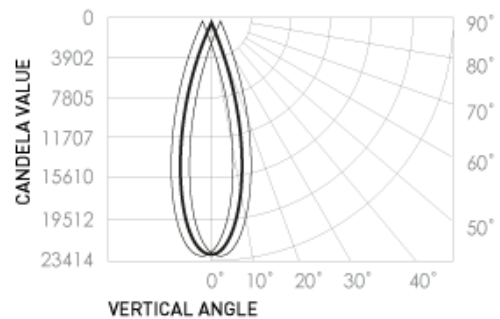
Source lumen output: 2935lm  
 Delivered lumen: 2190lm  
 Efficacy: 69lm/W  
 Colour temp.: 3000K  
 Beam angle: 35 (Special Order)°  
 Standard Deviation of colour matching (SDCM): 2MacAdams Steps



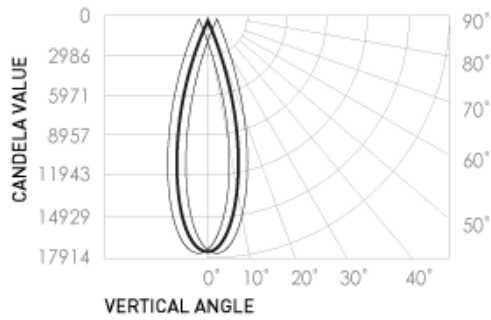
Source lumen output: 2995lm  
 Delivered lumen: 2235lm  
 Efficacy: 70lm/W  
 Colour temp.: 4000K  
 Beam angle: 35 (Special Order)°  
 Standard Deviation of colour matching (SDCM): 2MacAdams Steps



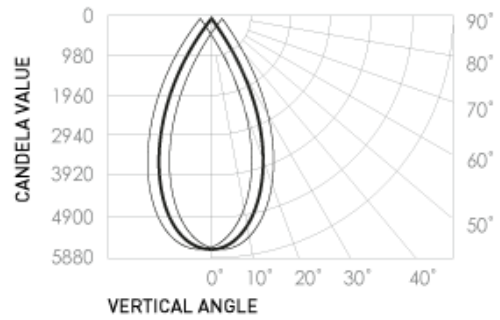
Source lumen output: 2935lm  
 Delivered lumen: 2190lm  
 Efficacy: 69lm/W  
 Colour temp.: 3000K  
 Beam angle: 20 (Special Order)°  
 Standard Deviation of colour matching (SDCM): 2MacAdams Steps



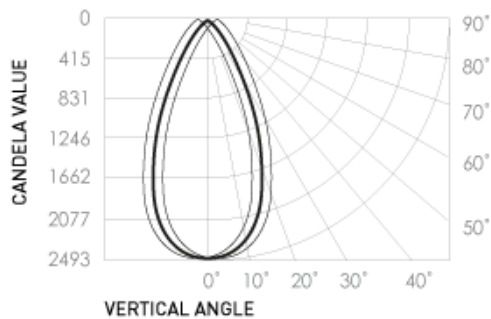
Source lumen output: 2995lm  
 Delivered lumen: 2235lm  
 Efficacy: 70lm/W  
 Colour temp.: 4000K  
 Beam angle: 20 (Special Order)°  
 Standard Deviation of colour matching (SDCM): 2MacAdams Steps



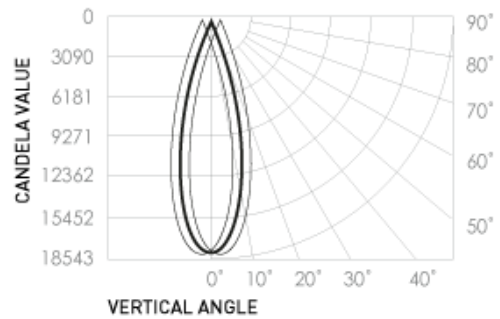
Source lumen output: 2290lm  
 Delivered lumen: 1710lm  
 Efficacy: 54lm/W  
 Colour temp.: 1.8K-3.1K (Night Shift)  
 Beam angle: 20 (Special Order)<sup>o</sup>  
 Standard Deviation of colour matching (SDCM): 2MacAdams Steps



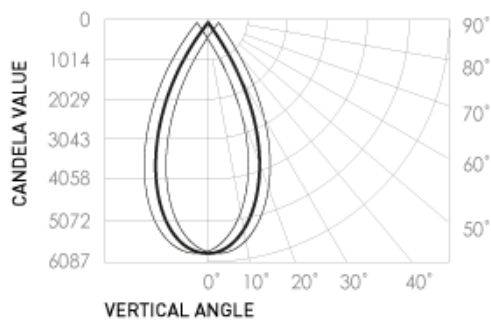
Source lumen output: 2290lm  
 Delivered lumen: 1710lm  
 Efficacy: 54lm/W  
 Colour temp.: 1.8K-3.1K (Night Shift)  
 Beam angle: 35 (Special Order)<sup>o</sup>  
 Standard Deviation of colour matching (SDCM): 2MacAdams Steps



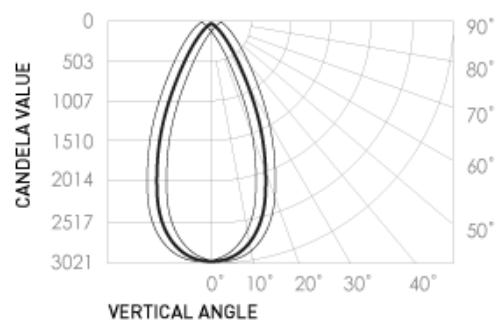
Source lumen output: 2880lm  
 Delivered lumen: 1770lm  
 Efficacy: 56lm/W  
 Colour temp.: 2700K (Special Order)  
 Beam angle: 55<sup>o</sup>  
 Standard Deviation of colour matching (SDCM): 2MacAdams Steps



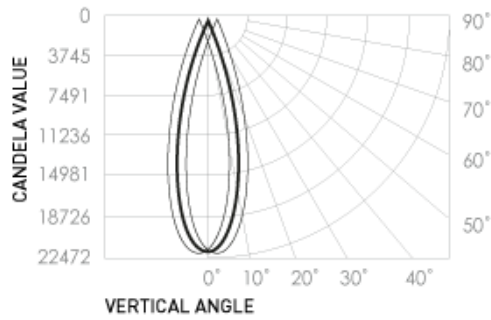
Source lumen output: 2880lm  
 Delivered lumen: 1770lm  
 Efficacy: 56lm/W  
 Colour temp.: 2700K (Special Order)  
 Beam angle: 20 (Special Order)<sup>o</sup>  
 Standard Deviation of colour matching (SDCM): 2MacAdams Steps



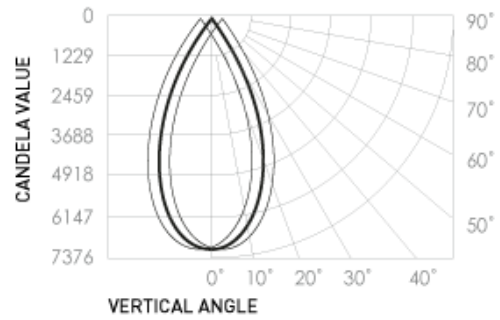
Source lumen output: 2880lm  
 Delivered lumen: 1770lm  
 Efficacy: 56lm/W  
 Colour temp.: 2700K (Special Order)  
 Beam angle: 35 (Special Order)<sup>o</sup>  
 Standard Deviation of colour matching (SDCM): 2MacAdams Steps



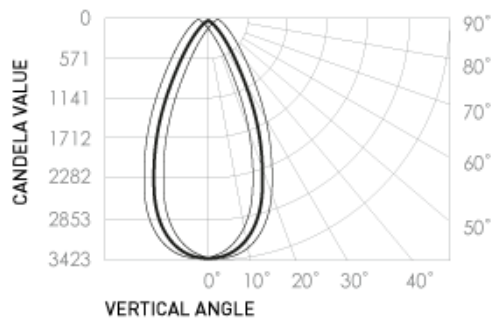
Source lumen output: 2365lm  
 Delivered lumen: 2145lm  
 Efficacy: 67lm/W  
 Colour temp.: 2800K - 5800K (Day Shift)  
 Beam angle: 55<sup>o</sup>  
 Standard Deviation of colour matching (SDCM): 2MacAdams Steps



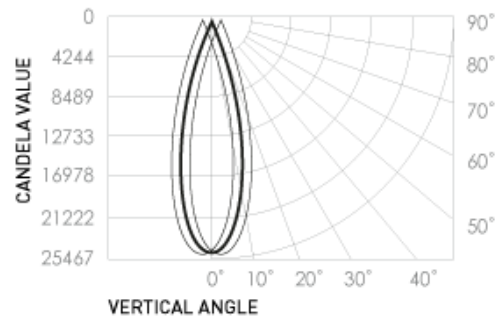
Source lumen output: 2365lm  
 Delivered lumen: 2145lm  
 Efficacy: 67lm/W  
 Colour temp.: 2800K - 5800K (Day Shift)  
 Beam angle: 20 (Special Order)<sup>o</sup>  
 Standard Deviation of colour matching (SDCM): 2MacAdams Steps



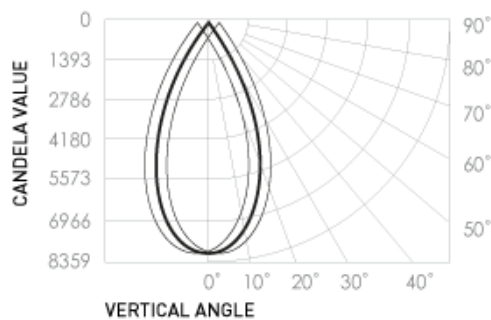
Source lumen output: 2365lm  
 Delivered lumen: 2145lm  
 Efficacy: 67lm/W  
 Colour temp.: 2800K - 5800K (Day Shift)  
 Beam angle: 35 (Special Order)<sup>o</sup>  
 Standard Deviation of colour matching (SDCM): 2MacAdams Steps



Source lumen output: 3260lm  
 Delivered lumen: 2430lm  
 Efficacy: 76lm/W  
 Colour temp.: 5000K (Special Order)  
 Beam angle: 55<sup>o</sup>  
 Standard Deviation of colour matching (SDCM): 2MacAdams Steps



Source lumen output: 3260lm  
 Delivered lumen: 2430lm  
 Efficacy: 76lm/W  
 Colour temp.: 5000K (Special Order)  
 Beam angle: 20 (Special Order)<sup>o</sup>  
 Standard Deviation of colour matching (SDCM): 2MacAdams Steps

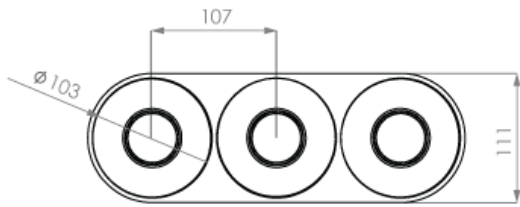


Source lumen output: 3260lm  
 Delivered lumen: 2430lm  
 Efficacy: 76lm/W  
 Colour temp.: 5000K (Special Order)  
 Beam angle: 35 (Special Order)<sup>o</sup>  
 Standard Deviation of colour matching (SDCM): 2MacAdams Steps

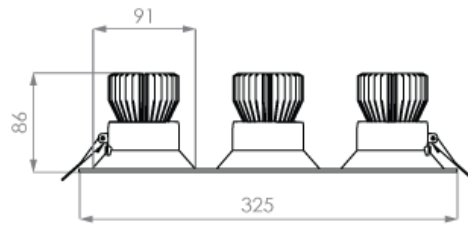
## Dimensions (mm)

---

Front view



Side view



## Electrical

<b>Input voltage:</b> 220-240V	<b>Power usage:</b> 31.8W	<b>Driver power factor:</b> 0.9	<b>IP rating:</b> IP44	<b>Surge protection:</b> Yes
<b>AC Cable length:</b> 1.2m	<b>Dimmable:</b> Yes	<b>Driver:</b> BG-010BSD-235mA	<b>DC Cable Length:</b> 0.3m	

## Operational

<b>Average temp.:</b> 65°C	<b>Ambient temp.:</b> -28 to 60°C	<b>Lifetime L70, B10:</b> 70,000 hrs (@TA25)	<b>Thermal rating:</b> IC-4	<b>Source Lumens:</b> 2935lm or 2995lm or 2290lm or 2880lm or 2365lm or 3260lm
-------------------------------	--------------------------------------	---	--------------------------------	---

**SDCM:**  
2MacAdam Steps

## Physical

<b>Weight:</b> 1800g	<b>Gimbal angle:</b> Universal	<b>Warranty:</b> 7 years	<b>Outer Body:</b> Black Outer	<b>Style:</b> Plate
-------------------------	-----------------------------------	-----------------------------	-----------------------------------	------------------------

## Compatibility

### Recommended Dimmers:

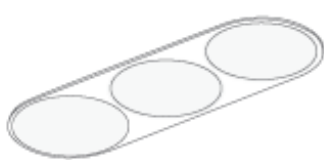
Compatible with leading home automation systems and dimmers.

Recommended Dimmers:

Universal, Trailing Edge, Leading Edge.  
Dali option available on request.

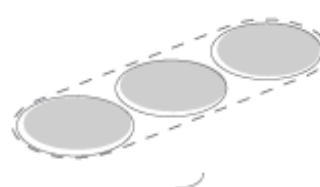
\*For more details please refer to:  
<https://brightgreen.com/digital-driver>  
All systems are unique, please  
call 1300 672 499 for advice on your installation.

## Installation



### Step 1

Using the Trio fascia plate as guide, trace the hole cut-outs in the desired position.



### Step 2

Use a 92mm holesaw to cut each of the traced holes.

## Installation



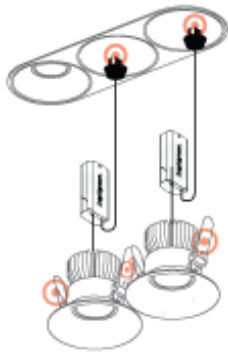
### Step 3

To hold the plate into the ceiling, pull back the spring of one luminaire and insert it into the plate.



### Step 4

Plug its driver to the mains socket then pull the springs up and insert the luminaire into the hole cavity.



### Step 5

With the plate in position, plug in the remaining 2 drivers and insert the luminaire into the remaining 2 hole cavities.



### Step 6

Installation now complete.