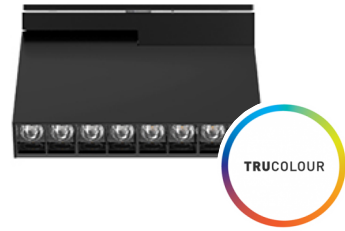


# D900.SHX Linear LED downlight

## Datasheet

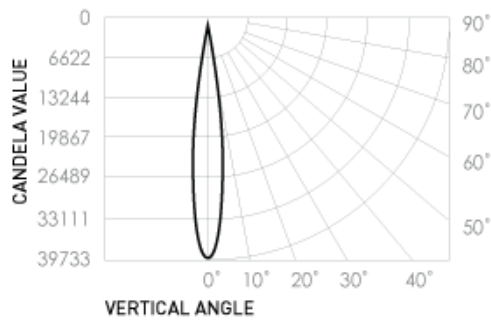


### Product codes

Unit:	Series:	Colour temp.:	Beam angle (°):	Colour:
D900.SHX	LN	2.7K	10	B (Black)
		3K	40	W (White)
		4K		
		5K		

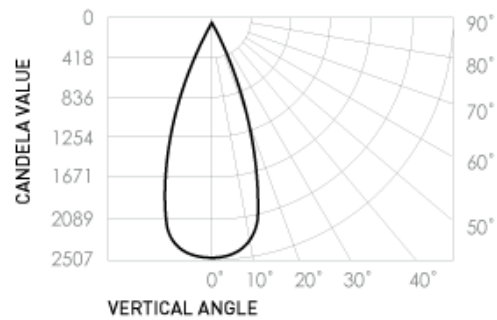
### Photometrics

#### Standard Products



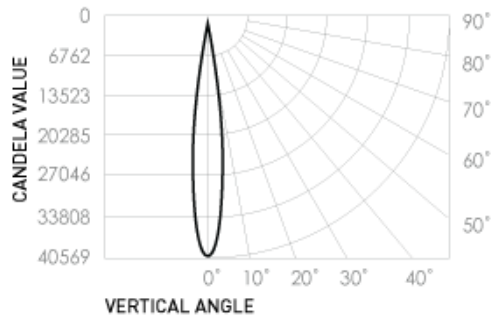
Source lumen output: 1255lm  
 Delivered lumen: 950lm  
 Efficacy: 59lm/W  
 Colour temp.: 3000K  
 Beam angle: 10°  
 CRI: 97

Standard Deviation of colour matching (SDCM): 2MacAdams Steps



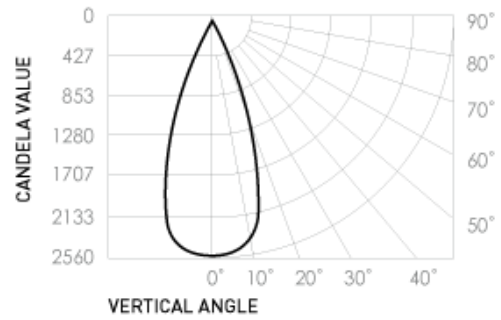
Source lumen output: 1255lm  
 Delivered lumen: 950lm  
 Efficacy: 59lm/W  
 Colour temp.: 3000K  
 Beam angle: 40°  
 CRI: 97

Standard Deviation of colour matching (SDCM): 2MacAdams Steps



Source lumen output: 1280lm  
 Delivered lumen: 970lm  
 Efficacy: 61lm/W  
 Colour temp.: 4000K  
 Beam angle: 10°  
 CRI: 97

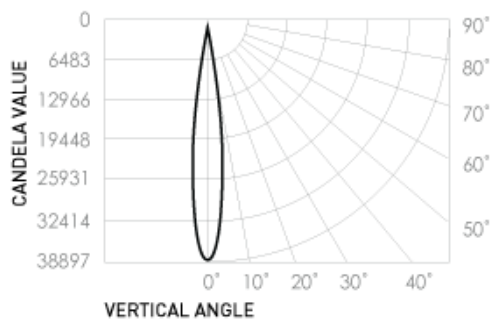
Standard Deviation of colour matching (SDCM): 2MacAdams Steps



Source lumen output: 1280lm  
 Delivered lumen: 970lm  
 Efficacy: 61lm/W  
 Colour temp.: 4000K  
 Beam angle: 40°  
 CRI: 97

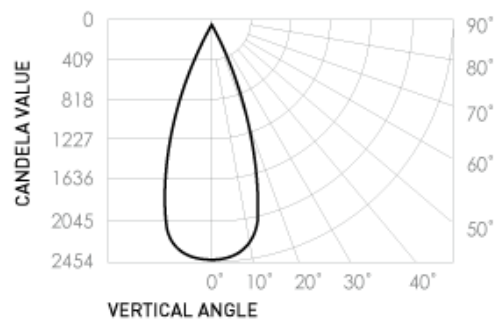
Standard Deviation of colour matching (SDCM): 2MacAdams Steps

### Special Order Products



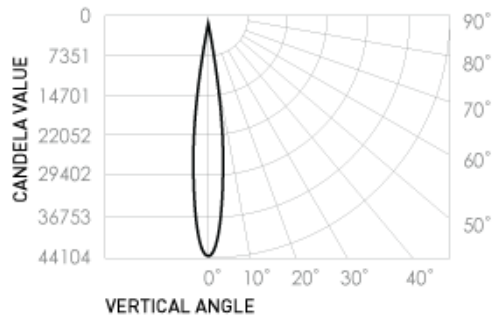
Source lumen output: 1230lm  
 Delivered lumen: 930lm  
 Efficacy: 58lm/W  
 Colour temp.: 2700K (Special Order)  
 Beam angle: 10°  
 CRI: 97

Standard Deviation of colour matching (SDCM): 2MacAdams Steps

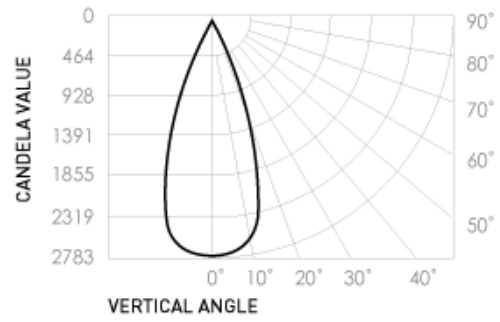


Source lumen output: 1230lm  
 Delivered lumen: 930lm  
 Efficacy: 58lm/W  
 Colour temp.: 2700K (Special Order)  
 Beam angle: 40°  
 CRI: 97

Standard Deviation of colour matching (SDCM): 2MacAdams Steps



**Source lumen output:** 1395lm  
**Delivered lumen:** 1055lm  
**Efficacy:** 66lm/W  
**Colour temp.:** 5000K (Special Order)  
**Beam angle:** 10°  
**CRI:** 97  
**Standard Deviation of colour matching (SDCM):** 2MacAdams Steps

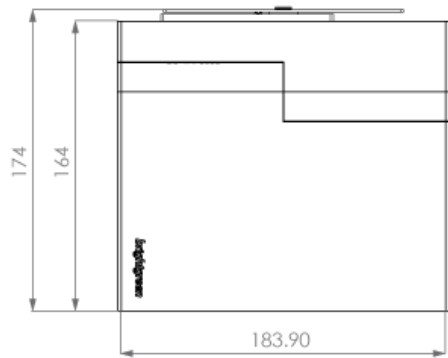


**Source lumen output:** 1395lm  
**Delivered lumen:** 1055lm  
**Efficacy:** 66lm/W  
**Colour temp.:** 5000K (Special Order)  
**Beam angle:** 40°  
**CRI:** 97  
**Standard Deviation of colour matching (SDCM):** 2MacAdams Steps

## Dimensions (mm)

---

Front view



Side view



## Electrical

---

<b>Input voltage:</b> 220-270V	<b>Power usage:</b> 16W	<b>Driver power factor:</b> >0.9	<b>IP rating:</b> IP44	<b>Surge protection:</b> 3100V
<b>Dimmable:</b> Yes	<b>Driver:</b> PHASE (-PHASE) DALI (-DALI) ZIGBEE 3.0 (-ZIGBEE) CASAMBI (-CASAMBI) 0-10V (-010V)			

## Operational

---

<b>Operating temp.:</b> -30 to 85°C	<b>Average temp.:</b> 60°C	<b>Ambient temp.:</b> -28 to 50°C	<b>Lifetime L70, B10:</b> 50,000 hrs (@TA25)	<b>Source Lumens:</b> 1255lm or 1280lm or 1230lm or 1395lm
<b>SDCM:</b> 2MacAdam Steps				

## Physical

---

<b>Gimbal angle:</b> 90°/360°	<b>Warranty:</b> 7 years	<b>Version:</b> 2.0
----------------------------------	-----------------------------	------------------------

## Compatibility

---

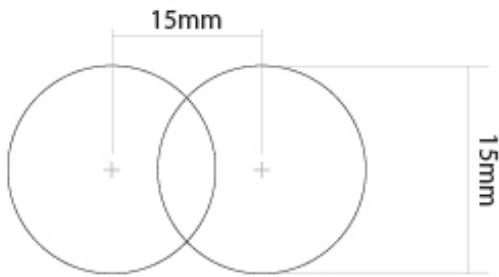
**Recommended Dimmers:**  
"Compatible with leading home automation systems and dimmers.  
Recommended Dimmers:  
Universal, Trailing Edge, Leading Edge.

\*For more details please refer to:  
<https://brightgreen.com/digital-driver>  
All systems are unique, please  
call 1300 672 499 for advice on your installation."

## Installation

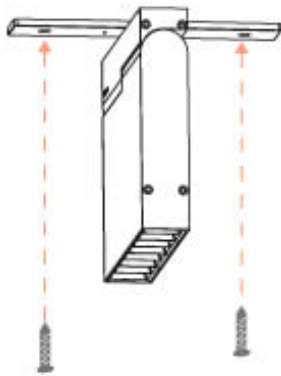
---

## Installation



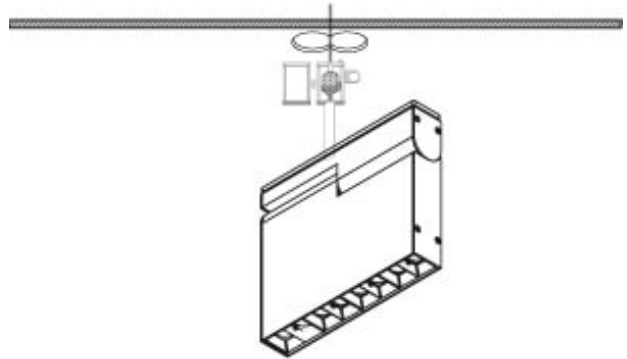
### Step 1

Using a 20mm hole saw, cut two holes in the ceiling with the centre points 15mm apart at the desired location.



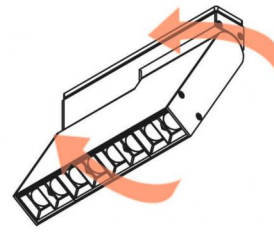
### Step 3

Mount the unit to the ceiling using the 2 screws provided.



### Step 2

Thread the power cable through the ceiling. Open the junction box and connect the power cable. Reattach the cover of the junction box and return it into the ceiling.



### Step 4

Once the light is installed, orient the luminaire to focus the light as required.