

# T2000.H Curve LED downlight

## Datasheet

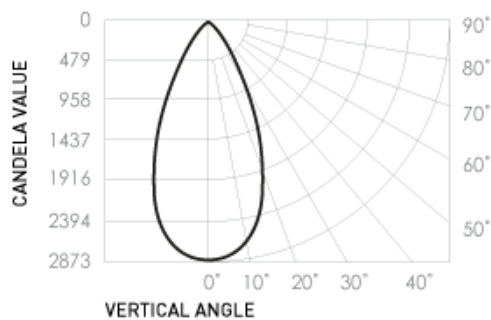


### Product codes

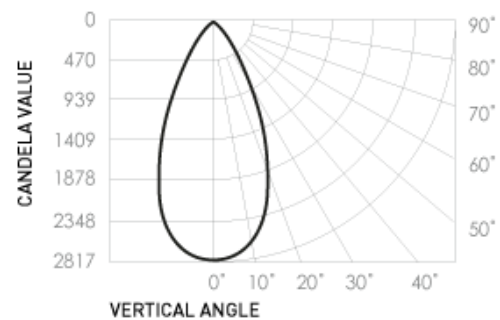
Unit:	Base Type:	Series:	Colour temp.:	Beam angle (°):	Colour:
T2000.H	E3 H1	CR	2.7K 3K 4K 5K	27 45 55	B (Black) W (White)

### Photometrics

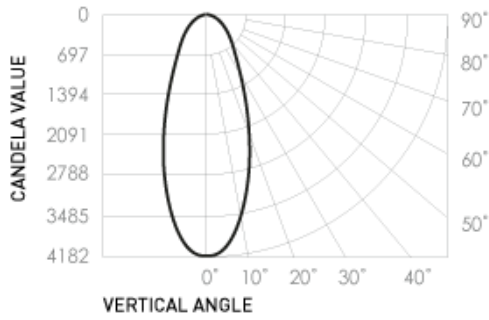
#### Standard Products



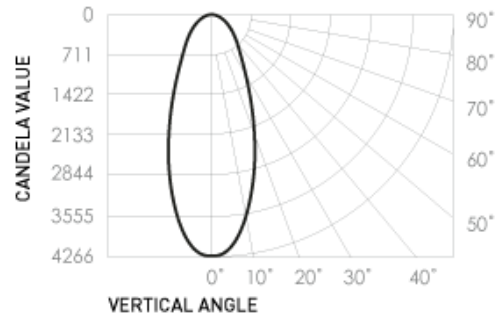
**Source lumen output:** 2140lm  
**Delivered lumen:** 2040lm  
**Efficacy:** 85lm/W  
**Colour temp.:** 4000K  
**Beam angle:** 55°  
**Standard Deviation of colour matching (SDCM):** 0MacAdams Steps



**Source lumen output:** 2100lm  
**Delivered lumen:** 2000lm  
**Efficacy:** 83lm/W  
**Colour temp.:** 3000K  
**Beam angle:** 55°  
**Standard Deviation of colour matching (SDCM):** 0MacAdams Steps

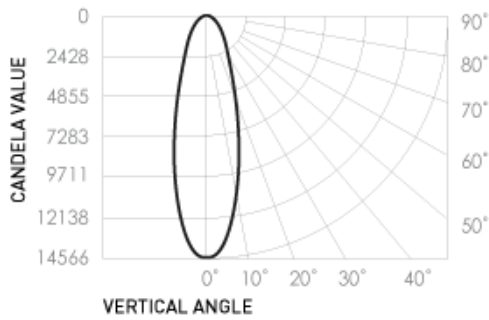


Source lumen output: 2100lm  
 Delivered lumen: 2000lm  
 Efficacy: 83lm/W  
 Colour temp.: 3000K  
 Beam angle: 45°  
 Standard Deviation of colour matching (SDCM): 0MacAdams Steps

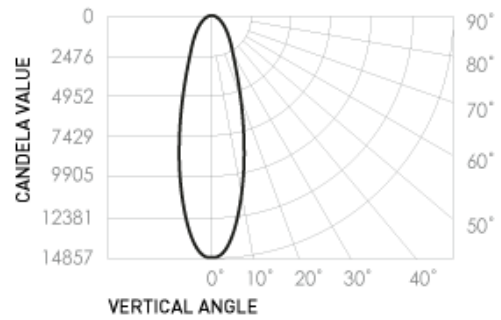


Source lumen output: 2140lm  
 Delivered lumen: 2040lm  
 Efficacy: 85lm/W  
 Colour temp.: 4000K  
 Beam angle: 45°  
 Standard Deviation of colour matching (SDCM): 0MacAdams Steps

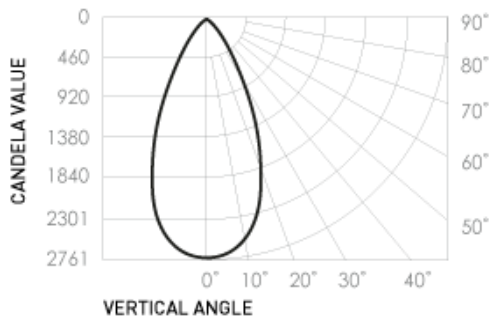
### Special Order Products



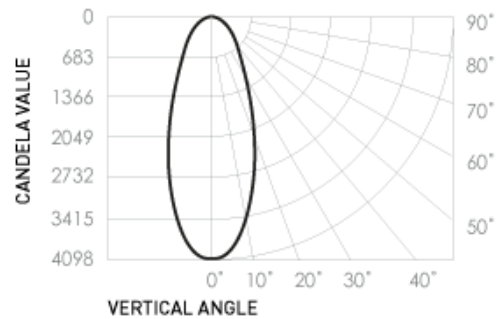
Source lumen output: 2100lm  
 Delivered lumen: 2000lm  
 Efficacy: 83lm/W  
 Colour temp.: 3000K  
 Beam angle: 27 (Special Order)  
 Standard Deviation of colour matching (SDCM): 0MacAdams Steps



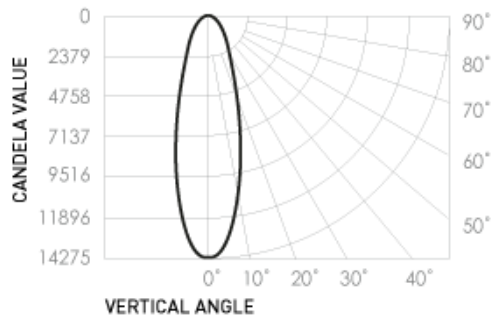
Source lumen output: 2140lm  
 Delivered lumen: 2040lm  
 Efficacy: 85lm/W  
 Colour temp.: 4000K  
 Beam angle: 27 (Special Order)  
 Standard Deviation of colour matching (SDCM): 0MacAdams Steps



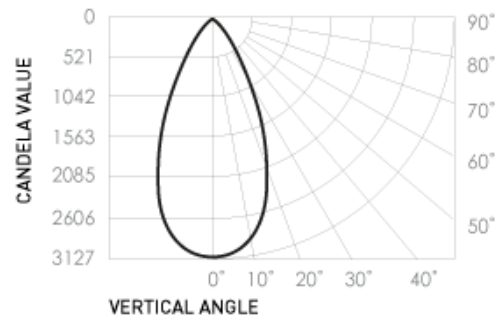
Source lumen output: 2055lm  
 Delivered lumen: 1960lm  
 Efficacy: 82lm/W  
 Colour temp.: 2700K (Special Order)  
 Beam angle: 55°  
 Standard Deviation of colour matching (SDCM): 0MacAdams Steps



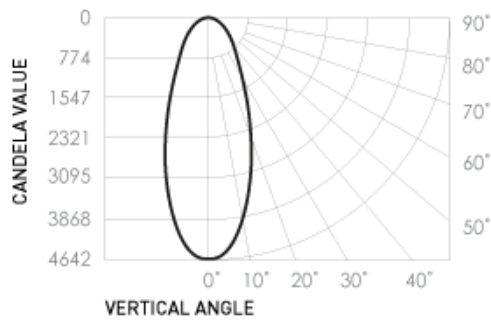
Source lumen output: 2055lm  
 Delivered lumen: 1960lm  
 Efficacy: 82lm/W  
 Colour temp.: 2700K (Special Order)  
 Beam angle: 45°  
 Standard Deviation of colour matching (SDCM): 0MacAdams Steps



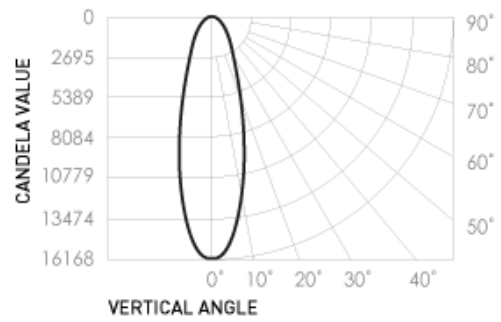
Source lumen output: 2055lm  
 Delivered lumen: 1960lm  
 Efficacy: 82lm/W  
 Colour temp.: 2700K (Special Order)  
 Beam angle: 27 (Special Order)°  
 Standard Deviation of colour matching (SDCM): 0MacAdams Steps



Source lumen output: 2330lm  
 Delivered lumen: 2220lm  
 Efficacy: 93lm/W  
 Colour temp.: 5000K (Special Order)  
 Beam angle: 55°  
 Standard Deviation of colour matching (SDCM): 0MacAdams Steps



Source lumen output: 2330lm  
 Delivered lumen: 2220lm  
 Efficacy: 93lm/W  
 Colour temp.: 5000K (Special Order)  
 Beam angle: 45°  
 Standard Deviation of colour matching (SDCM): 0MacAdams Steps

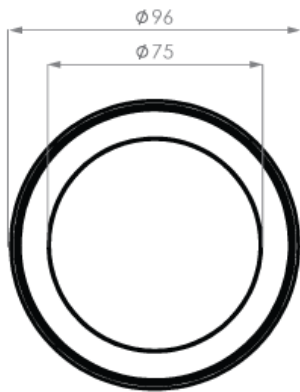


Source lumen output: 2330lm  
 Delivered lumen: 2220lm  
 Efficacy: 93lm/W  
 Colour temp.: 5000K (Special Order)  
 Beam angle: 27 (Special Order)°  
 Standard Deviation of colour matching (SDCM): 0MacAdams Steps

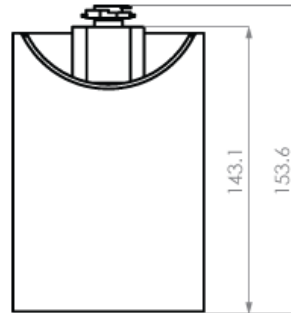
## Dimensions (mm)

---

Front view



Side view



## Electrical

<b>Input voltage:</b> 220-240V	<b>Power usage:</b> 24W	<b>Driver power factor:</b> >0.95	<b>IP rating:</b> IP44	<b>Surge protection:</b> 3100V
<b>Dimmable:</b> Yes	<b>Driver:</b> BG-024ASD-600mA; BG-024DALI-CC-ROUND			

## Operational

<b>Average temp.:</b> 56°C	<b>Ambient temp.:</b> -28 to 70°C	<b>Lifetime L70, B10:</b> 70,000 hrs (@TA25)	<b>Source Lumens:</b> 2100lm or 2140lm or 2055lm or 2330lm
-------------------------------	--------------------------------------	---	--

## Physical

<b>Weight:</b> 700g	<b>Gimbal angle:</b> 90°/360°	<b>Warranty:</b> 7 years	<b>Type:</b> H-Track or Eurotrack
------------------------	----------------------------------	-----------------------------	--------------------------------------

## Compatibility

### Recommended Dimmers:

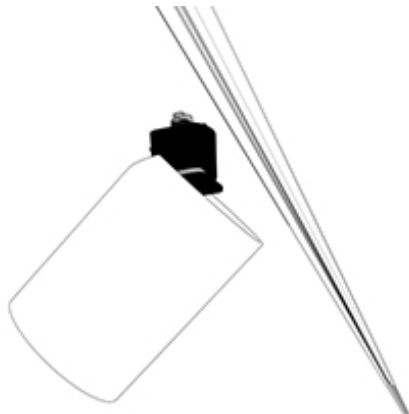
"Compatible with leading home automation systems and dimmers.

Recommended Dimmers:

Universal, Trailing Edge, Leading Edge.

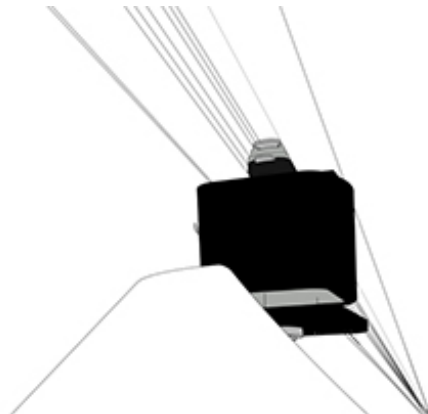
\*For more details please refer to:  
<https://brightgreen.com/digital-driver>  
All systems are unique, please  
call 1300 672 499 for advice on your installation."

## Installation



### Step 1

Align the track connector with the track.

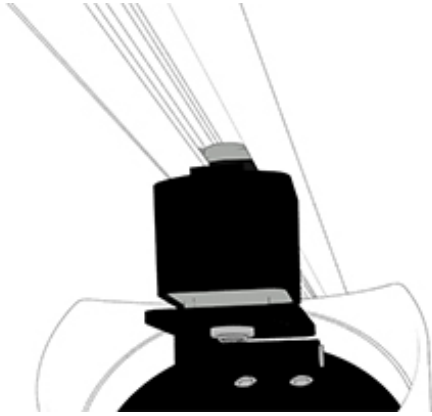


### Step 2

Insert the fitting into the track channel.

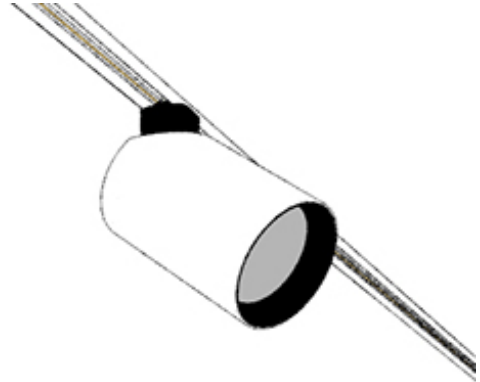
## Installation

---



### Step 3

Twist the track base in order to lock the fitting into the track channel. The direction of the twist is dependent on where the contact points are in the track.



### Step 4

Once the light is locked into the track, orient the luminaire to focus the light as required.