

T700.HX Curve LED downlight

Datasheet

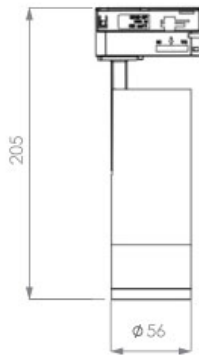


Product codes

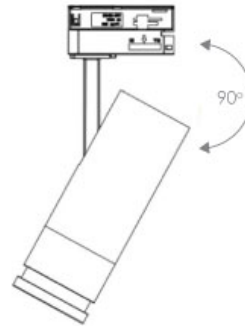
Unit: T700.HX	Base Type: E3 H1	Series: CR	Colour temp.: 2.7K 3K 4K 5K	Beam angle (°): 15.60	Colour: B (Black) S (Silver) W (White)
-------------------------	-------------------------------	----------------------	--	---------------------------------	--

Dimensions (mm)

Front view



Side view



Electrical

Colour temperature:
3000K or 4000K or
5000K or 2700K

Input voltage:
220-240V

Power usage:
12W

IP rating:
IP20

Surge protection:
3100V

Dimmable:
Yes

Operational

Lumen output:
900lm or 918lm or
882lm or 999lm

Beam angle:
15-60°

Light quality (CRI):
93CRI

SDCM:
2MacAdam Steps

Physical

Fascia colour:
White or Silver or Black

Warranty:
7 years

Type:
H-Track or Eurotrack

Installation



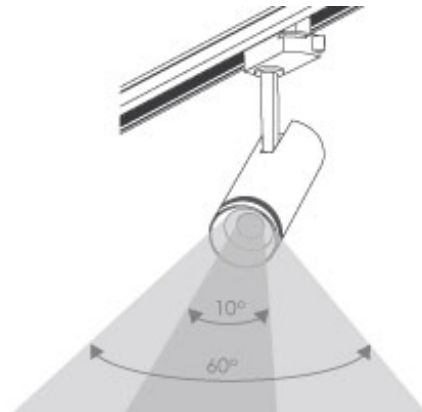
Step 1
Align the track connector with the track.



Step 2
Insert the T700.HX into the track channel, ensuring the track base tabs are in the open position and that the direction of the T700.HX is correct. This is dependant on where the contact points are in the track.



Step 3
Push the locking tabs into the track base to secure the fitting.



Step 4
Once the light is locked into the track, orient the luminaire to focus the light as required.