

W900.IPS Cube LED wall light

Datasheet

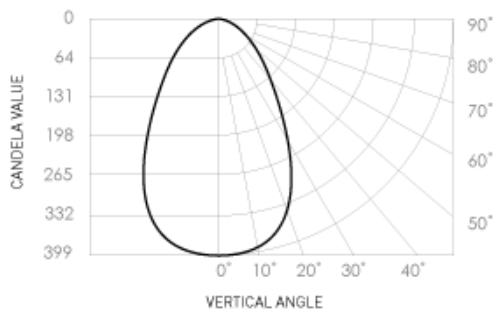


Product codes

Unit: W900.IPS	Series: CB	Colour temp.: 3K	Beam angle (°): 110	Colour: B (Black)
--------------------------	----------------------	----------------------------	-------------------------------	-----------------------------

Photometrics

Standard Products



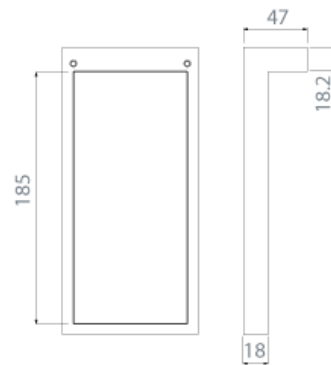
Source lumen output: 1115lm
Delivered lumen: 1070lm
Efficacy: 56lm/W
Colour temp.: 3000K
Beam angle: 110°
CRI: 80
Standard Deviation of colour matching (SDCM): 4MacAdams Steps

Dimensions (mm)

Front view



Side view



Electrical

Input voltage: 220-240V	Power usage: 19.2W	Driver power factor: 0.95	IP rating: IP54	Surge protection: Yes
Dimmable: No				

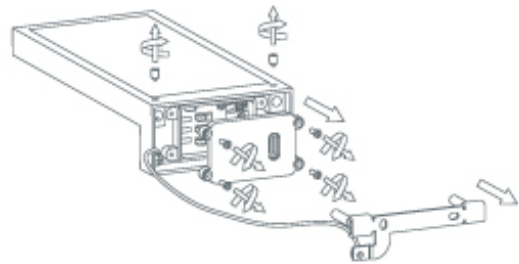
Operational

Average temp.: 65°C	Ambient temp.: -28 to 60°C	Lifetime L70, B10: 70,000 hrs (@TA25)	Source Lumens: 1115lm	SDCM: 4MacAdam Steps
-------------------------------	--------------------------------------	---	---------------------------------	--------------------------------

Physical

Gimbal angle: N/A	Warranty: 3 years	Version: 1.0
-----------------------------	-----------------------------	------------------------

Installation



Step 1

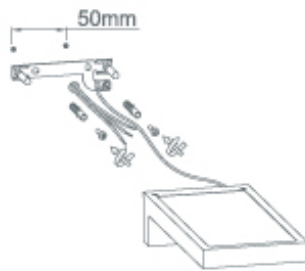
Ensure the product comes with supplied accessories:

- 2x philips head screw with o-ring washer
- 2x wall plugs
- 1x allen key

Step 2

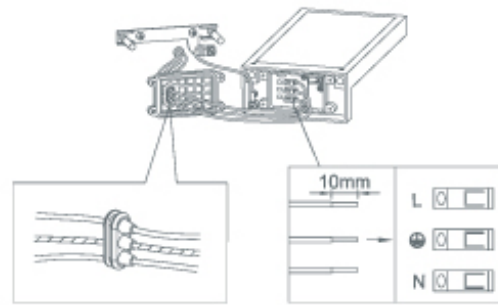
Unscrew the 2 grub screws from the top of the luminaire housing to release the base plate and junction box.

Installation



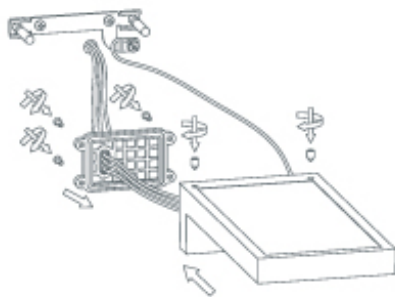
Step 3

Thread the power cable through the base plate, use the base plate as a guide to drill 2 pilot holes for the wall plugs. Once wall plugs have been pressed into the wall fasten the base plate to the wall using the screws provided



Step 4

Connect the mains power cable to the terminal block.



Step 5

Insert the junction box back into the luminaire housing and secure using the grub screws. Then position the luminaire housing back to base plate and secure by putting back the grub screws on top.



Step 6

Installation complete