

# W900.IPSH Cube LED wall light

## Datasheet

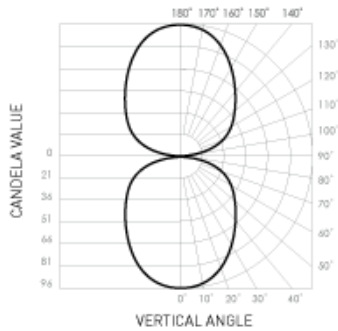


### Product codes

|                           |                      |                            |                               |                             |
|---------------------------|----------------------|----------------------------|-------------------------------|-----------------------------|
| <b>Unit:</b><br>W900.IPSH | <b>Series:</b><br>CB | <b>Colour temp.:</b><br>3K | <b>Beam angle (°):</b><br>130 | <b>Colour:</b><br>B (Black) |
|---------------------------|----------------------|----------------------------|-------------------------------|-----------------------------|

### Photometrics

#### Standard Products

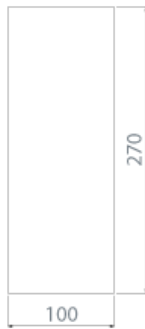


- Source lumen output: 1005lm
- Delivered lumen: 685lm
- Efficacy: 38lm/W
- Colour temp.: 3000K
- Beam angle: 130°
- Standard Deviation of colour matching (SDCM): 0MacAdams Steps

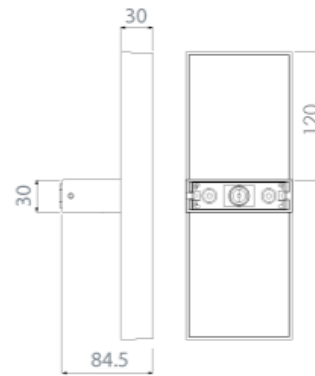
## Dimensions (mm)

---

Front view



Side view



## Electrical

**Input voltage:**  
220-240V

**Power usage:**  
18W

**Driver power factor:**  
0.95

**IP rating:**  
IP54

**Surge protection:**  
Yes

**Dimmable:**  
No

## Operational

**Operating temp.:**  
-30 to 85°C

**Average temp.:**  
65°C

**Ambient temp.:**  
-28 to 60°C

**Lifetime L70, B10:**  
70,000 hrs (@TA25)

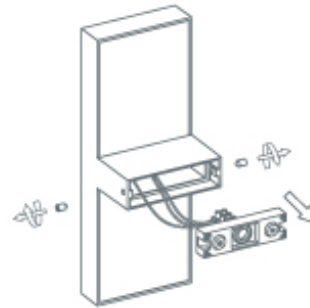
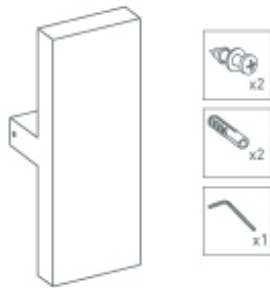
**Source Lumens:**  
1005lm

## Physical

**Gimbal angle:**  
N/A

**Warranty:**  
3 years

## Installation



### Step 1

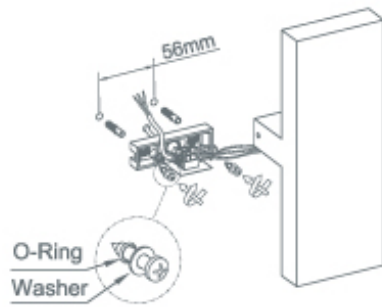
Ensure the product comes with supplied accessories:

- 2x philips head screw with o-ring washer
- 2x wall plugs
- 1x allen key

### Step 2

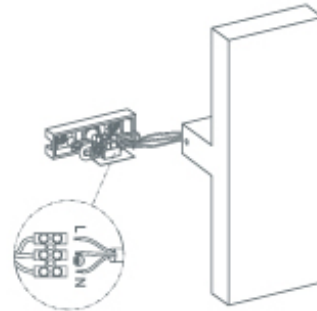
Unscrew the 2 grub screws from the side of the luminaire housing to release the base plate.

## Installation



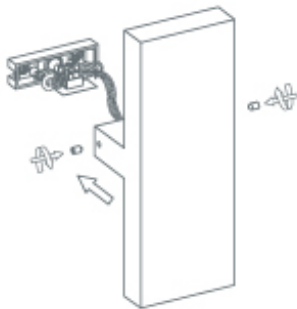
### Step 3

Thread the power cable through the base plate, use the base plate as a guide to drill 2 pilot holes for the wall plugs. Once wall plugs have been pressed into the wall fasten the base plate to the wall using the screws provided



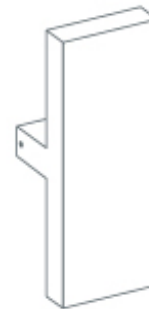
### Step 4

Connect the mains power cable to the terminal block.



### Step 5

Position the luminaire housing back to base plate and secure by putting back the grub screws.



### Step 6

Installation complete