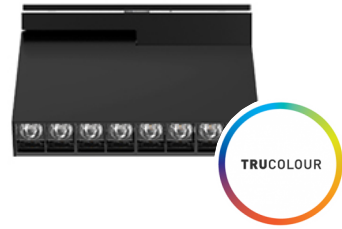


# D2000.SHX Linear LED downlight

## Datasheet

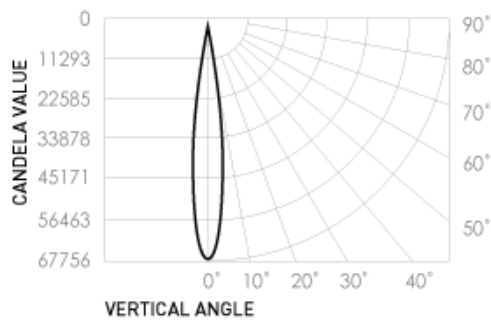


### Product codes

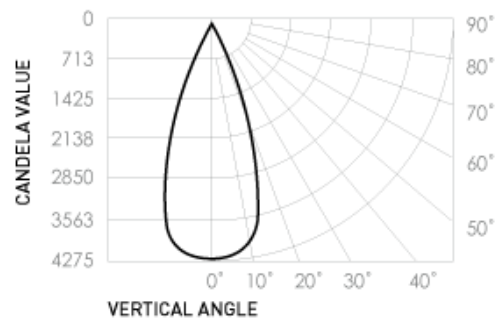
<b>Unit:</b> D2000.SHX	<b>Series:</b> LN	<b>Colour temp.:</b> 2.7K 3K 4K 5K	<b>Beam angle (°):</b> 10 40	<b>Colour:</b> B (Black) W (White)
---------------------------	----------------------	--	------------------------------------	--

### Photometrics

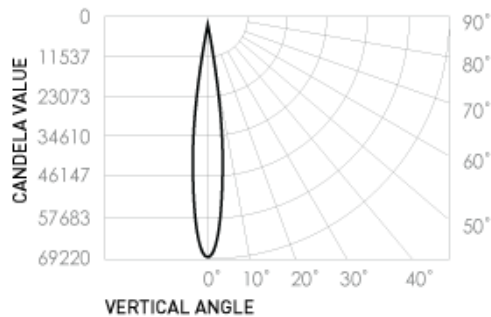
#### Standard Products



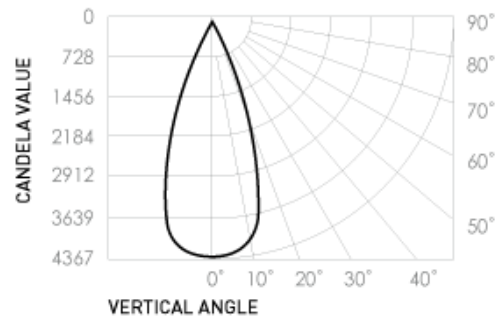
Source lumen output: 2535lm  
 Delivered lumen: 1620lm  
 Efficacy: 55lm/W  
 Colour temp.: 3000K  
 Beam angle: 10°



Source lumen output: 2535lm  
 Delivered lumen: 1620lm  
 Efficacy: 55lm/W  
 Colour temp.: 3000K  
 Beam angle: 40°

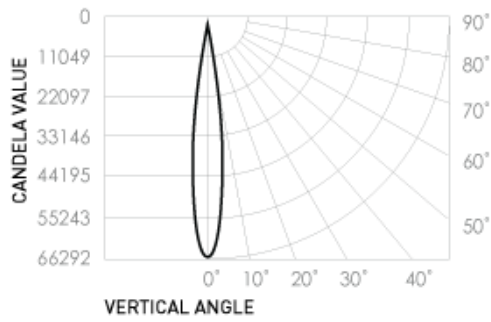


Source lumen output: 2705lm  
 Delivered lumen: 1655lm  
 Efficacy: 56lm/W  
 Colour temp.: 4000K  
 Beam angle: 10°

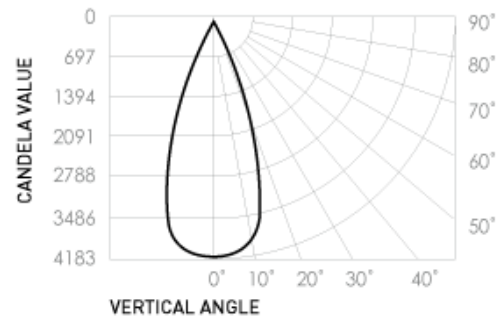


Source lumen output: 2705lm  
 Delivered lumen: 1655lm  
 Efficacy: 56lm/W  
 Colour temp.: 4000K  
 Beam angle: 40°

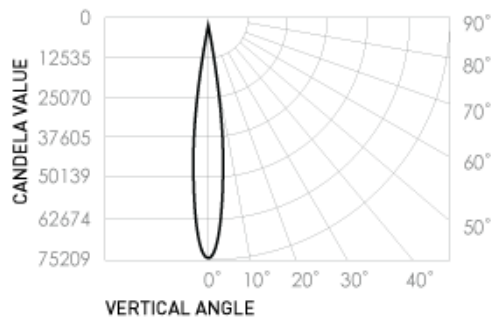
## Special Order Products



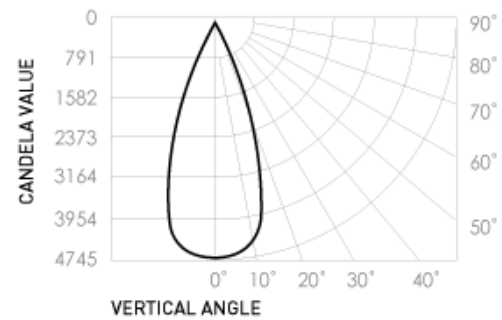
Source lumen output: 2480lm  
 Delivered lumen: 1585lm  
 Efficacy: 54lm/W  
 Colour temp.: 2700K  
 Beam angle: 10°



Source lumen output: 2480lm  
 Delivered lumen: 1585lm  
 Efficacy: 54lm/W  
 Colour temp.: 2700K  
 Beam angle: 40°



Source lumen output: 2810lm  
 Delivered lumen: 1800lm  
 Efficacy: 61lm/W  
 Colour temp.: 5000K  
 Beam angle: 10°

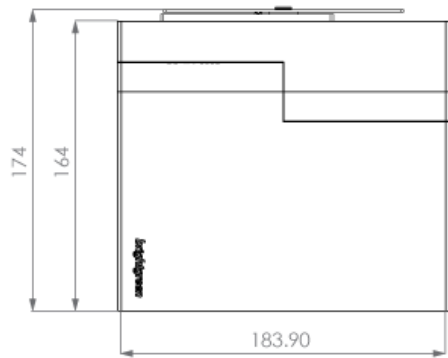


Source lumen output: 2810lm  
 Delivered lumen: 1800lm  
 Efficacy: 61lm/W  
 Colour temp.: 5000K  
 Beam angle: 40°

## Dimensions (mm)

---

Front view



Side view



## Electrical

<b>Input voltage:</b> 220-240V	<b>Power usage:</b> 29.58W	<b>Driver power factor:</b> >0.9	<b>IP rating:</b> IP44	<b>Surge protection:</b> 3100V
<b>Dimmable:</b> Yes	<b>Driver:</b> BG-017BSD-600mA			

## Operational

<b>Operating temp.:</b> -30 to 85°C	<b>Average temp.:</b> 60°C	<b>Ambient temp.:</b> -28 to 55°C	<b>Lifetime L70, B10:</b> 50,000 hrs (@TA25)	<b>Source Lumens:</b> 2535lm or 2705lm or 2480lm or 2810lm
--	-------------------------------	--------------------------------------	---	--

## Physical

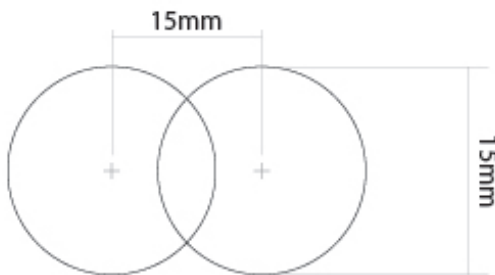
<b>Gimbal angle:</b> 90°/360°	<b>Warranty:</b> 7 years
----------------------------------	-----------------------------

## Compatibility

**Recommended Dimmers:**  
"Compatible with leading home automation systems and dimmers.  
Recommended Dimmers:  
Universal, Trailing Edge, Leading Edge.

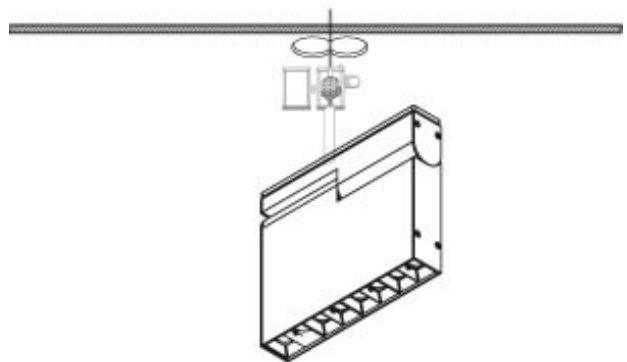
\*For more details please refer to:  
<https://brightgreen.com/digital-driver>  
All systems are unique, please  
call 1300 672 499 for advice on your installation."

## Installation



### Step 1

Using a 20mm hole saw, cut two holes in the ceiling with the centre points 15mm apart at the desired location.

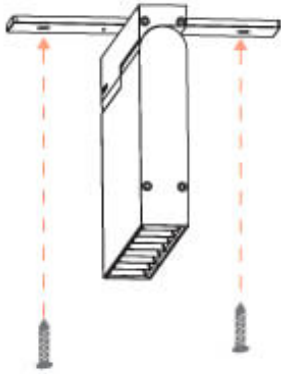


### Step 2

Thread the power cable through the ceiling. Open the junction box and connect the power cable. Reattach the cover of the junction box and return it into the ceiling.

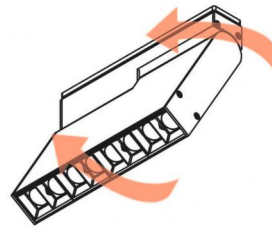
## Installation

---



### Step 3

Mount the unit to the ceiling using the 2 screws provided.



### Step 4

Once the light is installed, orient the luminaire to focus the light as required.