

D550+ Curve LED downlight Datasheet

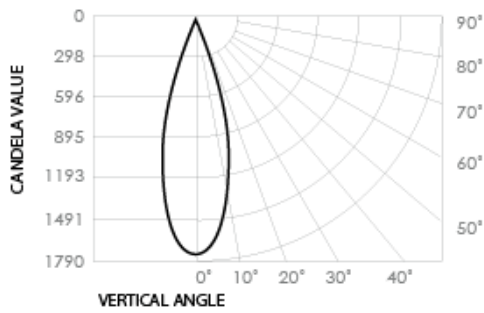


Product codes

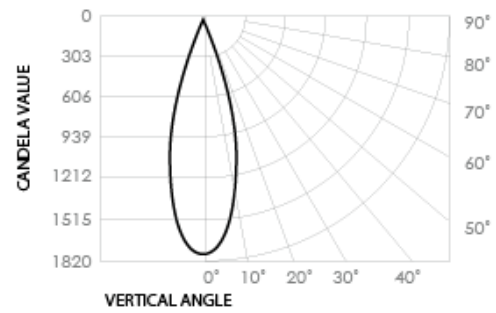
Unit: D550+	Series: CR	Colour temp.: 3K 4K	Beam angle (°): 36	Colour: B (Black) W (White)
-----------------------	----------------------	----------------------------------	------------------------------	--

Photometrics

Standard Products



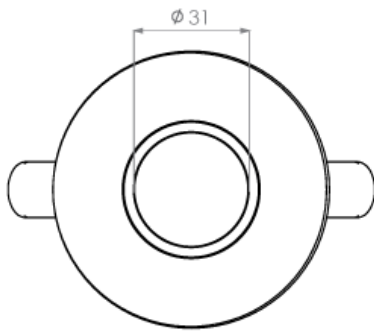
Source lumen output: 590lm
Delivered lumen: 550lm
Efficacy: 73lm/W
Colour temp.: 3000K
Beam angle: 36°



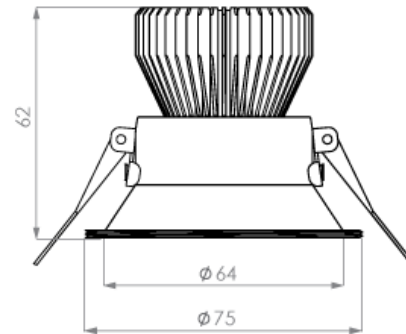
Source lumen output: 605lm
Delivered lumen: 560lm
Efficacy: 75lm/W
Colour temp.: 4000K
Beam angle: 36°

Dimensions (mm)

Front view



Side view



Electrical

Input voltage: 220-240V	Power usage: 7.5 W	Driver power factor: 0.9	IP rating: IP44	Surge protection: 3100V
AC Cable length: 1.5m	Dimmable: Yes	Driver: BG-010BSD-195mA	DC Cable Length: 0.3m	

Operational

Operating temp.: -30 to 70°C	Average temp.: 64°C	Ambient temp.: -28 to 50°C	Lifetime L70, B10: 70,000 hrs (@TA25)	Thermal rating: IC
Source Lumens: 590lm or 605lm				

Physical

Gimbal angle: 17° Universal	Warranty: 7 years
---------------------------------------	-----------------------------

Compatibility

Recommended Dimmers:
Compatible with leading home automation systems and dimmers.
Recommended Dimmers:
Universal, Trailing Edge, Leading Edge.
Dali option available on request.

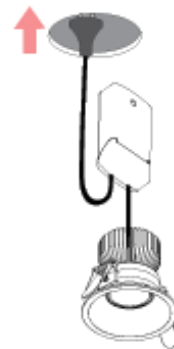
*For more details please refer to:
<https://brightgreen.com/digital-driver>
All systems are unique, please
call 1300 672 499 for advice on your installation

Installation



Step 1

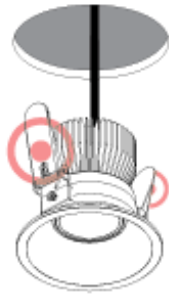
Using a 64mm hole saw, cut a hole in the ceiling at the desired location.



Step 2

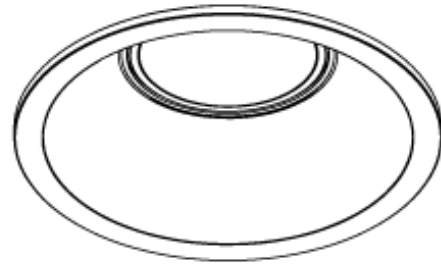
Plug the driver into a mounted general power outlet (GPO) in the ceiling.

Installation



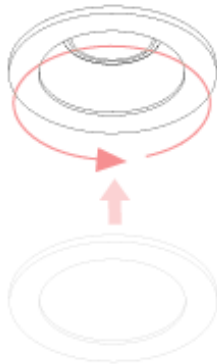
Step 3

Pull back the springs and insert the luminaire into the ceiling cavity. This luminaire can be covered and abutted with insulation.



Step 4

Once the light is installed, orient the luminaire using its gimbal to focus the light as required.



Step 5

For installation with a fascia, align the luminaire with the fascia and screw clockwise until firmly in place.