

D550.SH Curve LED downlight Datasheet

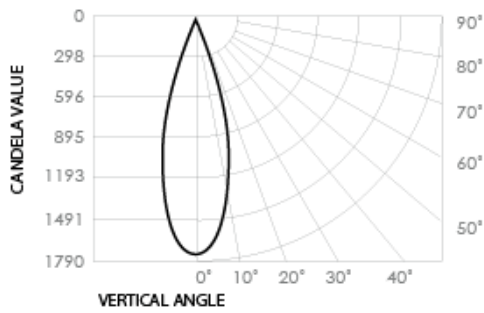


Product codes

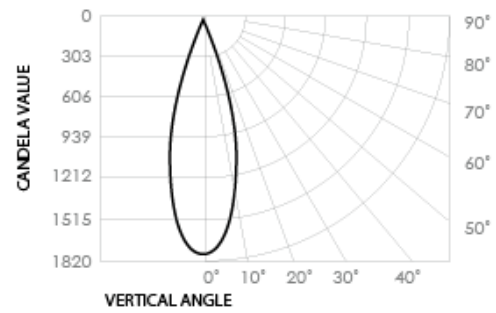
Unit: D550.SH	Series: CR	Colour temp.: 3K 4K	Beam angle (°): 36	Colour: B (Black) W (White)
-------------------------	----------------------	----------------------------------	------------------------------	--

Photometrics

Standard Products



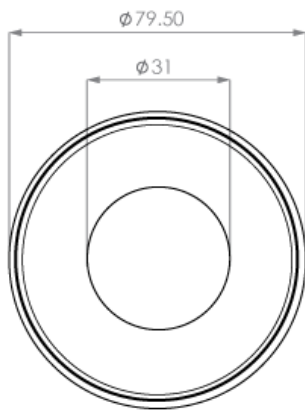
Source lumen output: 670lm
Delivered lumen: 550lm
Efficacy: 65lm/W
Colour temp.: 3000K
Beam angle: 36°



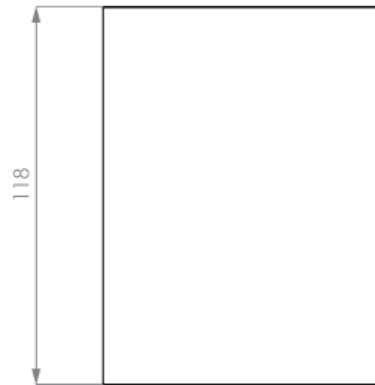
Source lumen output: 685lm
Delivered lumen: 560lm
Efficacy: 66lm/W
Colour temp.: 4000K
Beam angle: 36°

Dimensions (mm)

Front view



Side view



Electrical

Input voltage: 220-240V	Power usage: 8.5W	Driver power factor: 0.93	IP rating: IP44	Surge protection: 3100V
AC Cable length: 1.5m	Dimmable: Yes	Driver: ED-CU3506HPA		

Operational

Operating temp.: -30 to 85°C	Average temp.: 64°C	Ambient temp.: -28 to 65°C	Lifetime L70, B10: 70,000 hrs (@TA25)	Source Lumens: 670lm or 685lm
--	-------------------------------	--------------------------------------	---	---

Physical

Weight: 310g	Warranty: 7 years
------------------------	-----------------------------

Compatibility

Recommended Dimmers:

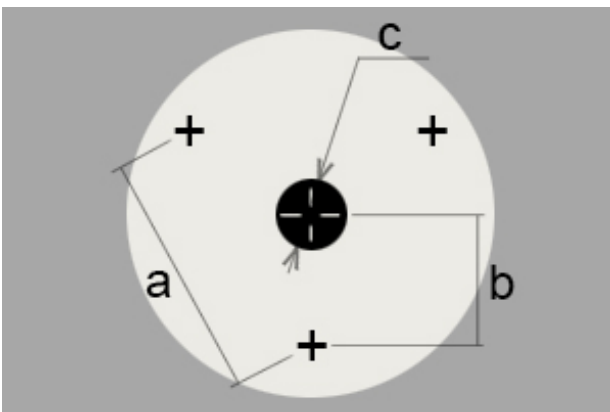
Compatible with leading home automation systems and dimmers.

Recommended Dimmers:

Universal, Trailing Edge, Leading Edge.

*For more details please refer to:
<https://brightgreen.com/digital-driver>
All systems are unique, please
call 1300 672 499 for advice on your installation.

Installation



Step 1

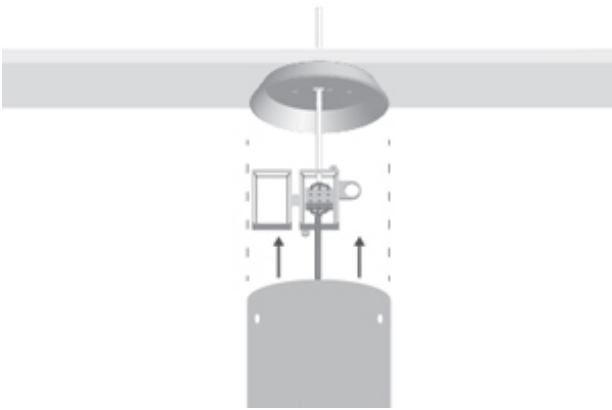
Ceiling mount hole piloting.
a=33.5mm ; b=19mm ; c=9mm



Step 2

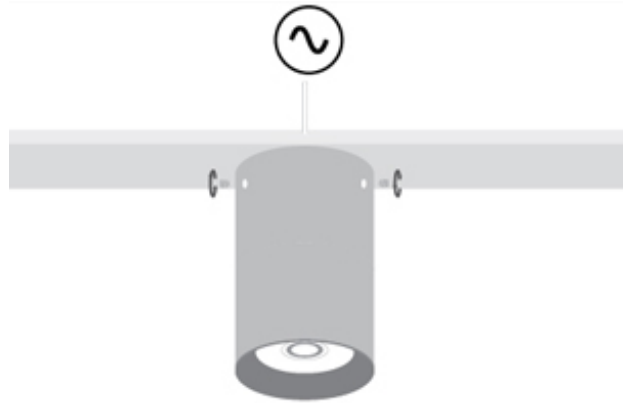
Disconnect all power at the switchboard.
Release the base plate from the D900 SH body by unscrewing the 3 retaining grub screws, then feed the power cable through the base plate and attach base plate to the roof* for more information refer to D550 SH installation guide.

Installation



Step 3

Open the junction box and connect the power cable to the junction box. Re-attach cover of junction box inline with Australian standards.



Step 4

Align and attach the D550 SH body to the base plate then screw in the three grub screws to secure the D550 SH to the ceiling.



Step 5

Installation complete.