

D700.CL Curve LED downlight Datasheet

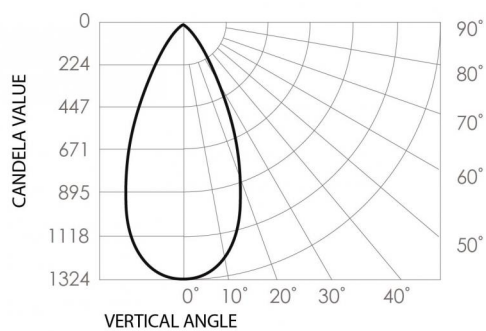


Product codes

Unit: D700.CL	Series: CR	Colour temp.: 3K 4K	Beam angle (°): 20 35 55	Colour: S (Silver) W (White)
-------------------------	----------------------	----------------------------------	--	---

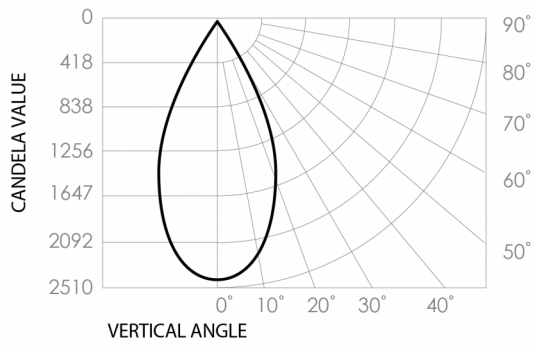
Photometrics

Standard Products

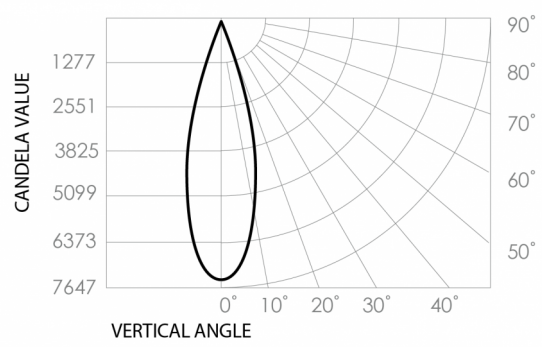


Source lumen output: 980lm
Delivered lumen: 730lm
Efficacy: 69lm/W
Colour temp.: 3000K
Beam angle: 55°

Special Order Products



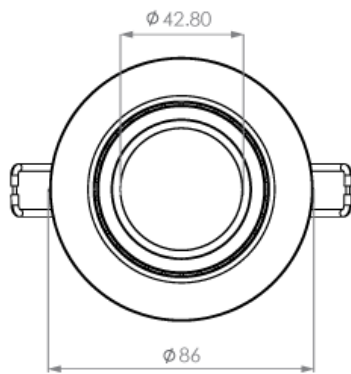
Source lumen output: 980lm
Delivered lumen: 730lm
Efficacy: 69lm/W
Colour temp.: 3000K
Beam angle: 35°



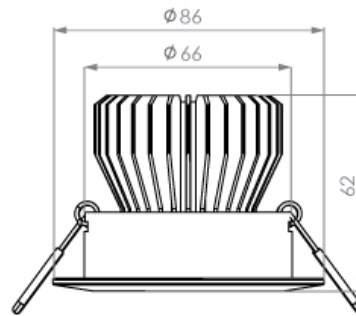
Source lumen output: 980lm
Delivered lumen: 730lm
Efficacy: 69lm/W
Colour temp.: 3000K
Beam angle: 20°

Dimensions (mm)

Front view



Side view



Electrical

Input voltage: 220-240V	Power usage: 10.6W	Driver power factor: 0.9	IP rating: IP44	Surge protection: Yes
AC Cable length: 1.5m	Dimmable: Yes	DC Cable Length: 0.3m		

Operational

Operating temp.: -30 to 85°C	Average temp.: 65°C	Ambient temp.: -28 to 60°C	Lifetime L70, B10: 70,000 hrs (@TA25)	Thermal rating: IC
Source Lumens: 980lm or 1000lm				

Physical

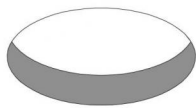
Weight: 600g	Gimbal angle: 15	Warranty: 7 years
------------------------	----------------------------	-----------------------------

Compatibility

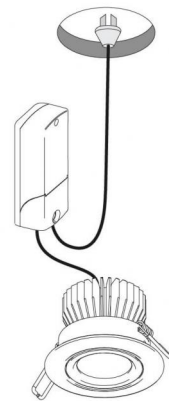
Recommended Dimmers:
Compatible with leading home automation systems and dimmers.
Recommended Dimmers:
Universal, Trailing Edge, Leading Edge.
Dali option available on request.

*For more details please refer to:
<https://brightgreen.com/digital-driver>
All systems are unique, please
call 1300 672 499 for advice on your installation.

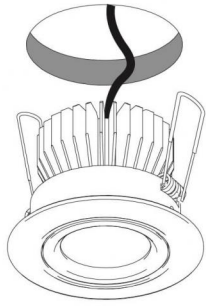
Installation



Step 1
Using a 70mm hole saw, cut a hole in the ceiling at the desired location.

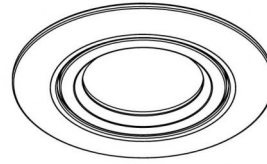


Step 2
Plug the driver into a mounted general power outlet (GPO) in the ceiling.



Step 3

Pull back the springs and insert the luminaire into the ceiling cavity. This luminaire can be covered and abutted with insulation.



Step 4

Once the light is installed, orient the luminaire using its gimbal to focus the light as required.