

D900.SH Curve LED downlight Datasheet

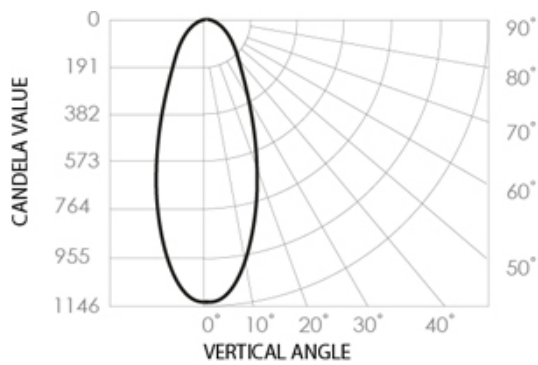


Product codes

Unit: D900.SH	Series: CR	Colour temp.: 2.7K (Special Order) 3K 4K	Beam angle (°): 24 38 45 55	Colour: B (Black) W (White)
-------------------------	----------------------	--	--	--

Photometrics

Standard Products



Source lumen output: 1385lm

Delivered lumen: 900lm

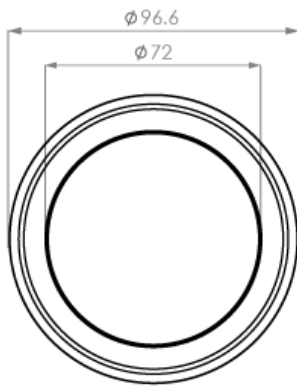
Efficacy: 55lm/W

Colour temp.: 3000K

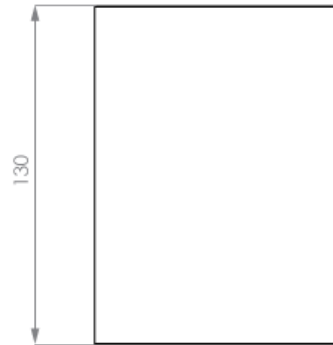
Beam angle: 45°

Dimensions (mm)

Front view



Side view



Electrical

Input voltage: 220-240V	Power usage: 16.5W	Driver power factor: 0.93	IP rating: IP44	Surge protection: 3100V
AC Cable length: 0.2m	Dimmable: Yes	Driver: DRV900S:350-13		

Operational

Ambient temp.: -28 to 65°C	Lifetime L70, B10: 70,000 hrs (@TA25)	Source Lumens: 1415lm or 1385lm or 1365lm
--------------------------------------	---	--

Physical

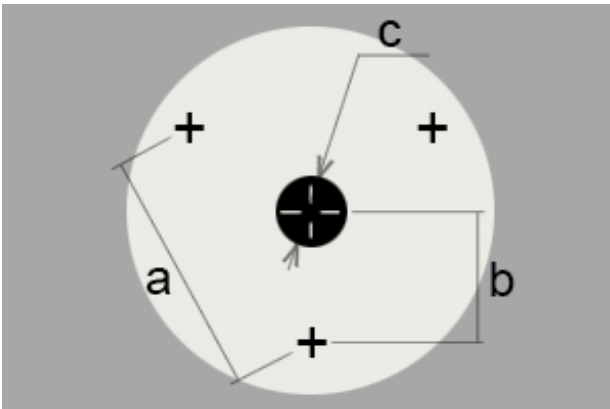
Weight: 700g	Gimbal angle: N/A	Warranty: 7 years
------------------------	-----------------------------	-----------------------------

Compatibility

Recommended Dimmers:
Compatible with leading home automation systems and dimmers.
Recommended Dimmers:
Universal, Trailing Edge, Leading Edge.

*For more details please refer to:
<https://brightgreen.com/digital-driver>
All systems are unique, please
call 1300 672 499 for advice on your installation.

Installation

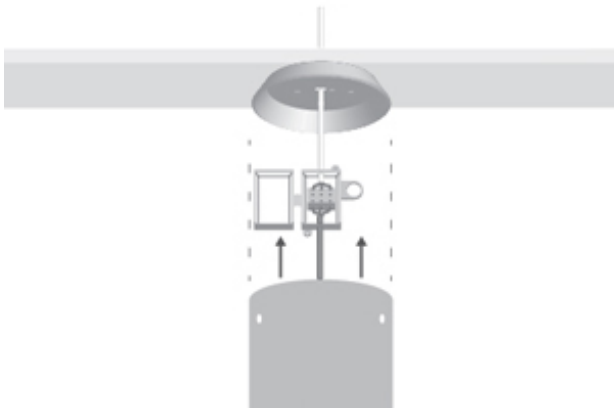


Step 1
Unscrew the 3 grub screws from the side of the product to release the base plate. Using the base plate as a guide, pilot hole the points where the 3 mounting screws will be drilled in.

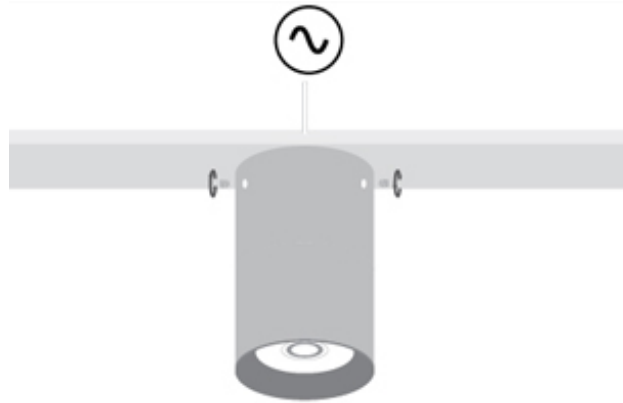


Step 2
Thread the power cable through the base plate and align the base plate to the ceiling. Fasten the base plate to the ceiling using the 3 mounting screws.

Installation



Step 3
Remove the junction box from the back of the luminaire. Open the junction box and connect the power cable.



Step 4
Reattach the cover of junction box and return it into the luminaire. Ensure the luminaire to the base plate using the grub screws.



Step 5
Installation complete.