

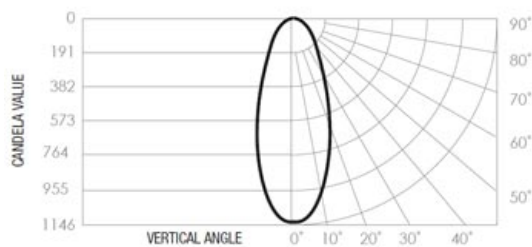
# D900.SHX Curve LED downlight Datasheet



## Product codes

<b>Unit:</b> D900.SHX	<b>Series:</b> CR	<b>Colour temp. (K):</b> 3K 4K	<b>Beam angle (°):</b> 45	<b>Colour:</b> B (Black) W (White)
--------------------------	----------------------	--------------------------------------	------------------------------	--

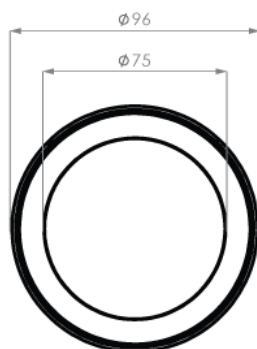
## Photometrics



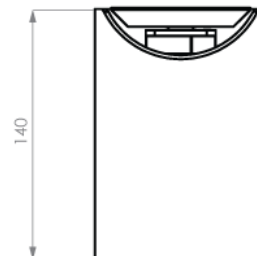
**Source lumen output:** 1387lm  
**Delivered lumen:** 900lm  
**Efficacy:** 55lm/W  
**Colour temp.:** 3000K  
**Beam angle:** 45°

## Dimensions (mm)

Front view



Side view



## Electrical

<b>Input voltage:</b> 220-240V	<b>Power usage:</b> 16.5W	<b>Driver power factor:</b> 0.93	<b>IP rating:</b> IP44	<b>Surge protection:</b> 3100V
<b>Dimmable:</b> Yes	<b>Driver:</b> BG-018ASD-385mA			

## Operational

<b>Operating temp.:</b> -30 to 81°C	<b>Average temp.:</b> 56°C	<b>Ambient temp.:</b> -28 to 70°C	<b>Lifetime:</b> 70,000 hrs (@TA25)	<b>Source Lumens:</b> 1387lm or 1415lm
--	-------------------------------	--------------------------------------	--	---

## Physical

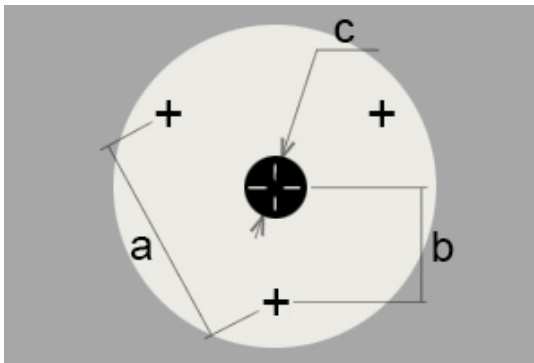
<b>Weight:</b> 730g	<b>Gimbal angle:</b> 90°/360°	<b>Warranty:</b> 7 years
------------------------	----------------------------------	-----------------------------

## Compatibility

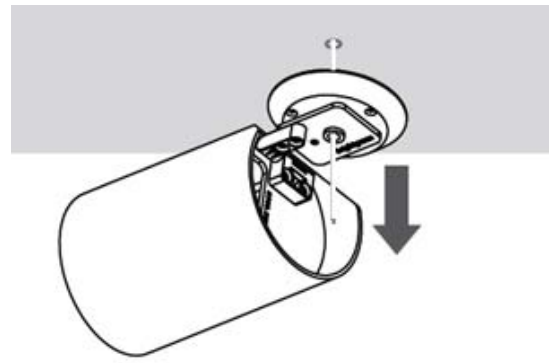
**Recommended Dimmers:**  
Compatible with leading home automation systems and dimmers.  
Recommended Dimmers:  
Universal, Trailing Edge, Leading Edge.

\*For more details please refer to:  
<https://brightgreen.com/digital-driver>  
All systems are unique, please  
call 1300 672 499 for advice on your installation.

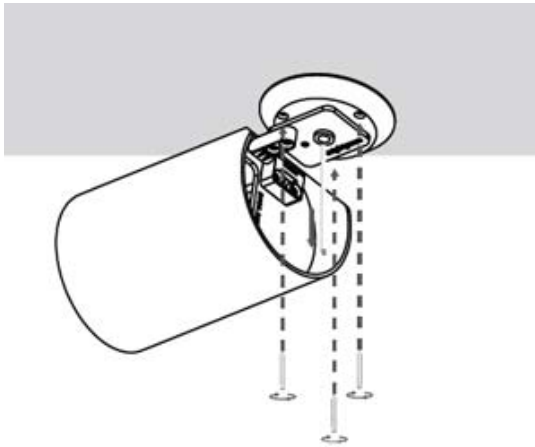
## Installation



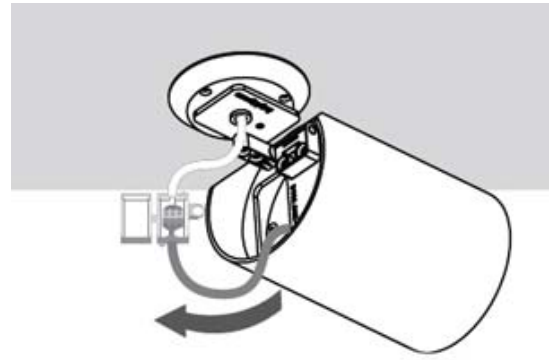
**Step 1**  
Ceiling mount hole piloting.  
a=43mm ; b=25mm ; c=6.5mm



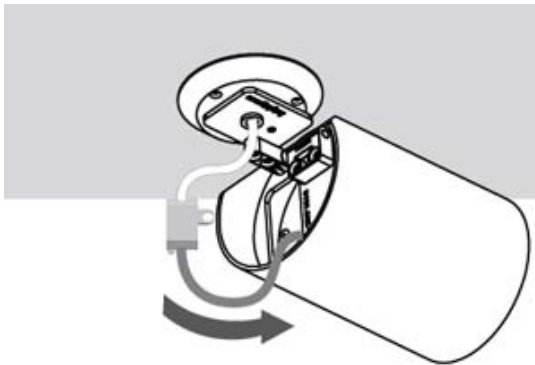
**Step 2**  
Thread the power cable through the base plate  
and align the base plate to the roof.



**Step 3**  
Fasten the base plate to the roof using the provided screws.



**Step 4**  
Remove the junction box from the back cavity of the D900 SHX.  
Open the junction box and connect the power cable to the junction box.  
Re-attach cover of junction box inline with Australian standards.



**Step 5**  
Slot the junction box back into the D900 SHX cavity.