

DR700 Curve LED downlight

Datasheet

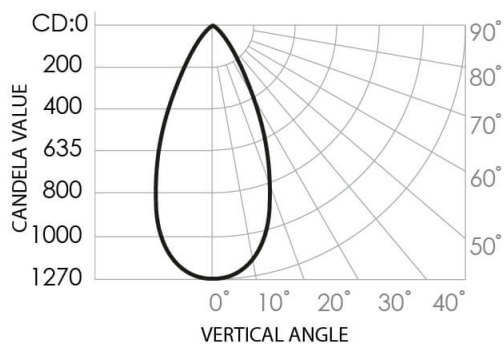


Product codes

Unit: DR700	Series: CR	Base type: PC	Colour temp.: 3K 4K	Beam angle (°): 20 (Special Order) 35 (Special Order) 55	Colour: B (Black)
-----------------------	----------------------	-------------------------	----------------------------------	--	-----------------------------

Photometrics

Standard Products



Source lumen output: 980lm

Delivered lumen: 730lm

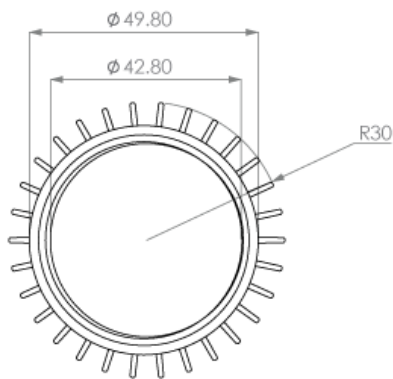
Efficacy: 69lm/W

Colour temp.: 3000K

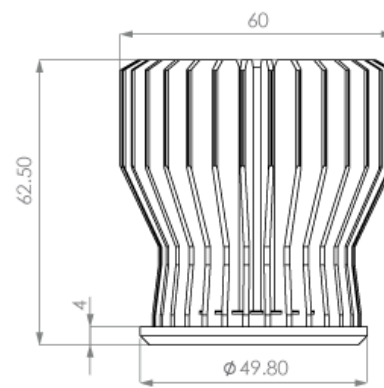
Beam angle: 55°

Dimensions (mm)

Front view



Side view



Electrical

Input voltage: 220-240V	Power usage: 10.6W	Driver power factor: 0.9	IP rating: IP44	Surge protection: Yes
AC Cable length: 1.5m	Dimmable: Yes	Driver: BG-010BSD-235mA	DC Cable Length: 0.3m	

Operational

Ambient temp.: -28 to 60°C	Lifetime L70, B10: 70,000 hrs (@TA25)	Source Lumens: 980lm or 1000lm
--------------------------------------	---	--

Physical

Weight: 490g	Gimbal angle: According to fascia	Warranty: 7 years	Type: PC
------------------------	---	-----------------------------	--------------------

Compatibility

Recommended Dimmers:

Compatible with leading home automation systems and dimmers.

Recommended Dimmers:

Universal, Trailing Edge, Leading Edge.

Dali option available on request.

*For more details please refer to:
<https://brightgreen.com/digital-driver>
All systems are unique, please
call 1300 672 499 for advice on your installation.

Installation



Step 1

Using the instructions of the chosen fascia, cut a hole in the ceiling at the desired location.



Step 2

Insert the D700 NF into a compatible luminaire fixture.

Installation



Step 3

Plug the driver to a mains power socket located in the ceiling cavity. Lift the fixture springs up, and insert into the hole cutout.



Step 4

Installation complete.