

T2000.H Linear LED track light Datasheet

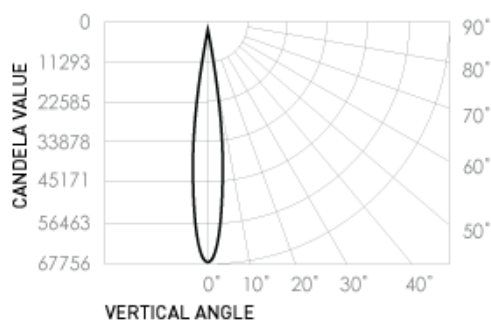


Product codes

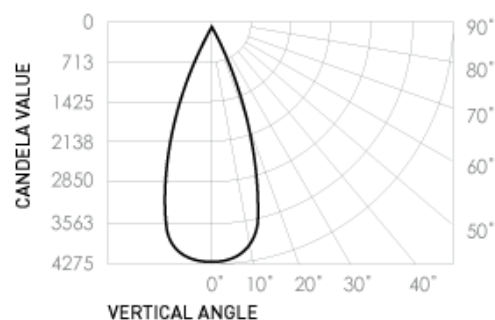
Unit:	Series:	Base type:	Colour temp.:	Beam angle (°):	Colour:
T2000.H	LN	E3 H1	2.7K (Special Order) 3K 4K 5K (Special Order)	10 40	B (Black) W (White)

Photometrics

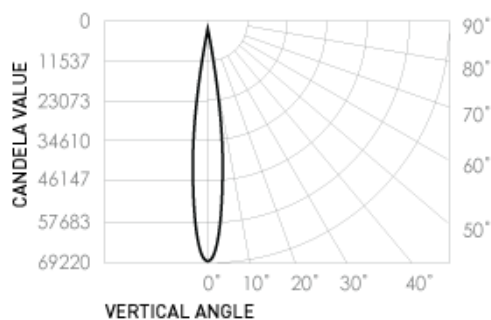
Standard Products



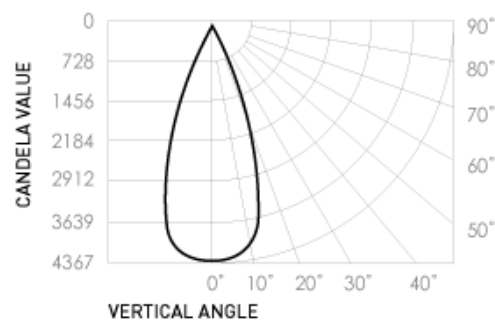
Source lumen output: 2535lm
 Delivered lumen: 1620lm
 Efficacy: 55lm/W
 Colour temp.: 3000K
 Beam angle: 10°



Source lumen output: 2535lm
 Delivered lumen: 1620lm
 Efficacy: 55lm/W
 Colour temp.: 3000K
 Beam angle: 40°

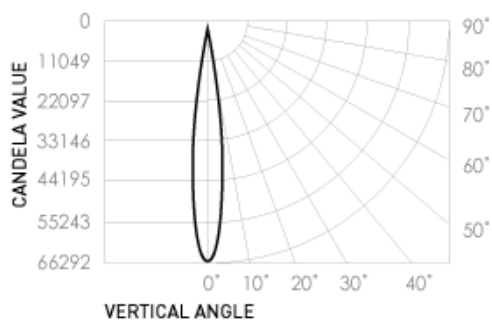


Source lumen output: 2705lm
 Delivered lumen: 1655lm
 Efficacy: 56lm/W
 Colour temp.: 4000K
 Beam angle: 10°

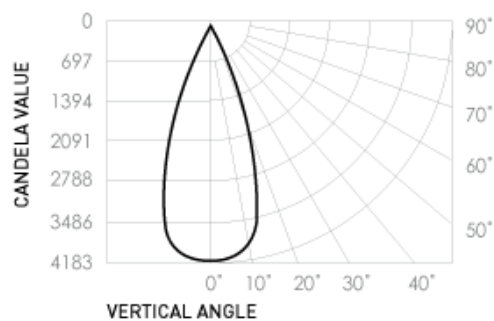


Source lumen output: 2705lm
 Delivered lumen: 1655lm
 Efficacy: 56lm/W
 Colour temp.: 4000K
 Beam angle: 40°

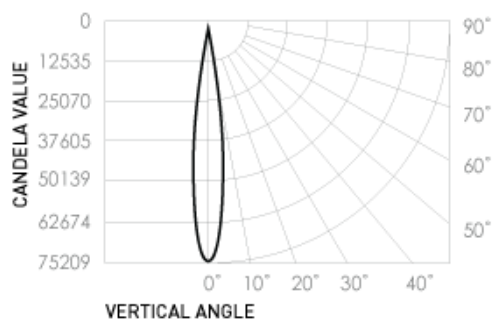
Special Order Products



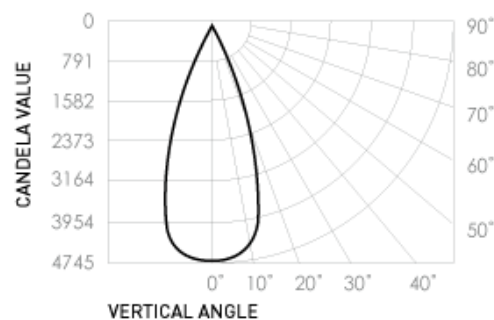
Source lumen output: 2480lm
 Delivered lumen: 1585lm
 Efficacy: 54lm/W
 Colour temp.: 2700K (Special Order)
 Beam angle: 10°



Source lumen output: 2480lm
 Delivered lumen: 1585lm
 Efficacy: 54lm/W
 Colour temp.: 2700K (Special Order)
 Beam angle: 40°



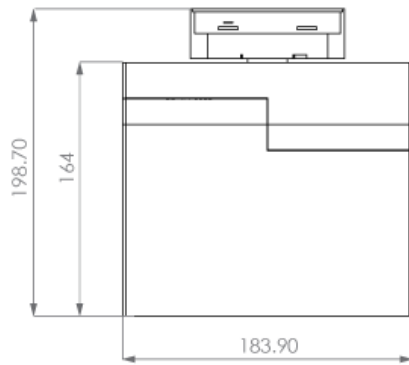
Source lumen output: 2810lm
 Delivered lumen: 1800lm
 Efficacy: 61lm/W
 Colour temp.: 5000K (Special Order)
 Beam angle: 10°



Source lumen output: 2810lm
 Delivered lumen: 1800lm
 Efficacy: 61lm/W
 Colour temp.: 5000K (Special Order)
 Beam angle: 40°

Dimensions (mm)

Front view



Side view



Electrical

Input voltage: 220-240V	Power usage: 29.58W	Driver power factor: >0.9	IP rating: IP44	Surge protection: 3100V
Dimmable: Yes	Driver: BG-017BSD-600mA			

Operational

Operating temp.: -30 to 85°C	Average temp.: 60°C	Ambient temp.: -28 to 55°C	Lifetime L70, B10: 50,000 hrs (@TA25)	Source Lumens: 2535lm or 2705lm or 2480lm or 2810lm
--	-------------------------------	--------------------------------------	---	--

Physical

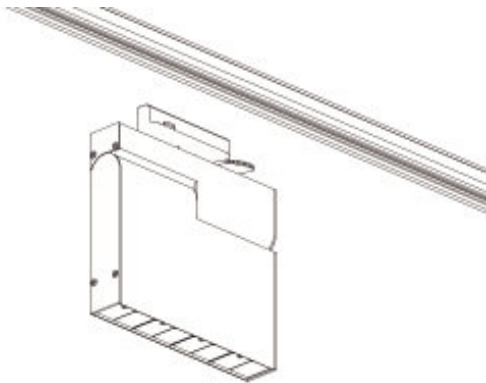
Gimbal angle: 90°/360°	Warranty: 7 years	Type: H-Track or Eurotrack
----------------------------------	-----------------------------	--------------------------------------

Compatibility

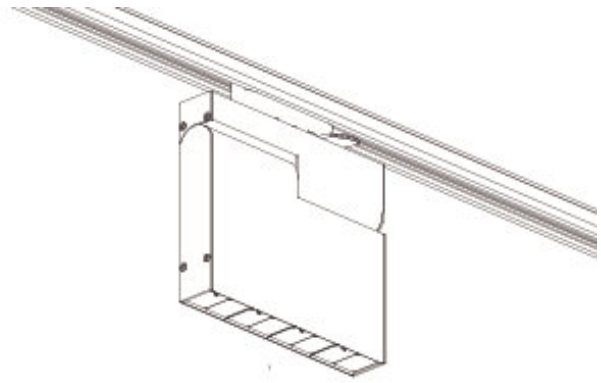
Recommended Dimmers:
"Compatible with leading home automation systems and dimmers.
Recommended Dimmers:
Universal, Trailing Edge, Leading Edge.

*For more details please refer to:
<https://brightgreen.com/digital-driver>
All systems are unique, please
call 1300 672 499 for advice on your installation."

Installation

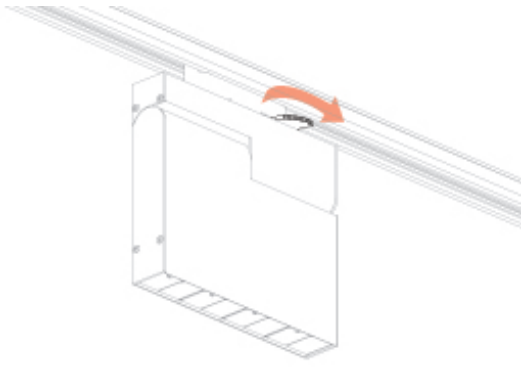


Step 1
Align the track connector with the track.



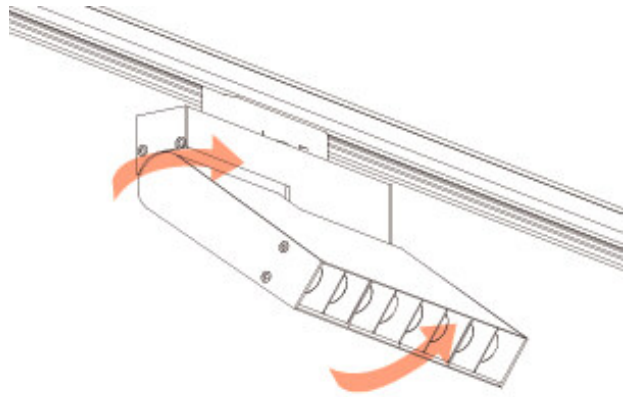
Step 2
Insert the T2000.H into the track channel, ensuring the track base tabs are in the open position and that the direction of the T2000.H is correct. This is dependant on where the contact points are in the track.

Installation



Step 3

Push the locking tabs into the track base to secure the fitting



Step 4

Once the light is locked into the track, orient the luminaire to focus the light as required.