

T400.H Linear LED track light

Datasheet

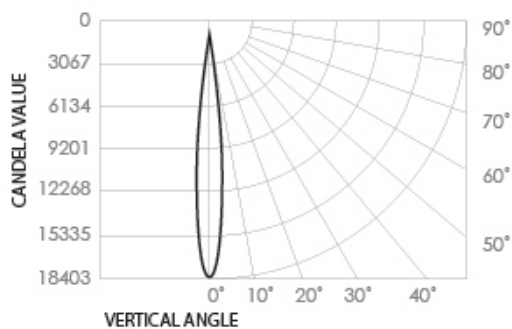


Product codes

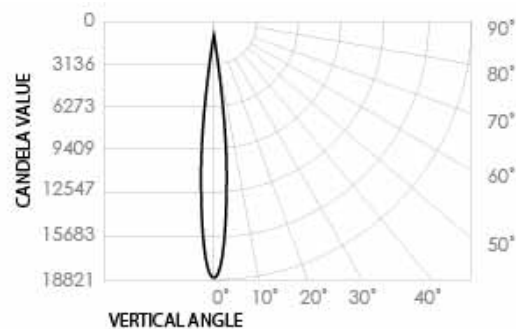
Unit:	Series:	Base type:	Colour temp.:	Beam angle (°):	Colour:
T400.H	LN	E3 H1	2.7K (Special Order) 3K 4K 5K (Special Order)	10 40	B (Black) W (White)

Photometrics

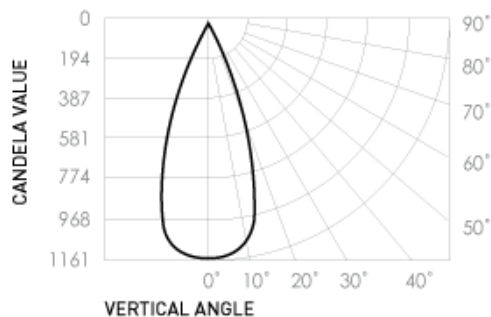
Standard Products



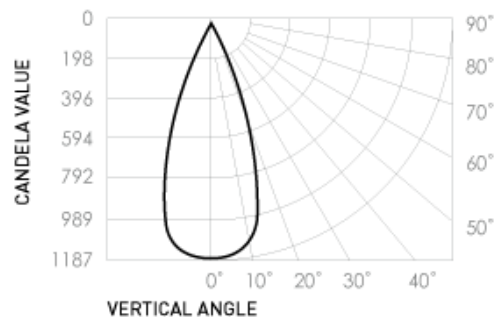
Source lumen output: 480lm
 Delivered lumen: 440lm
 Efficacy: 55lm/W
 Colour temp.: 3000K
 Beam angle: 10°



Source lumen output: 490lm
 Delivered lumen: 450lm
 Efficacy: 56lm/W
 Colour temp.: 4000K
 Beam angle: 10°

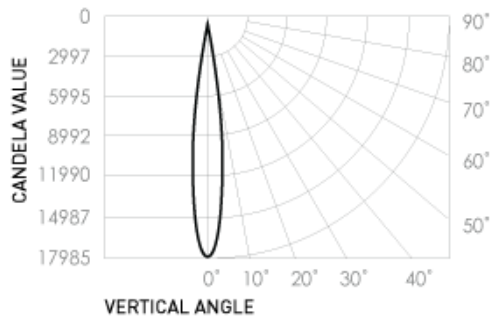


Source lumen output: 480lm
 Delivered lumen: 440lm
 Efficacy: 55lm/W
 Colour temp.: 3000K
 Beam angle: 40°

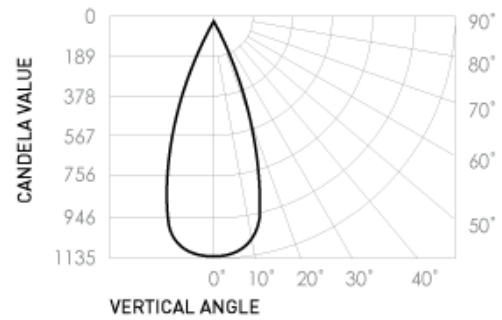


Source lumen output: 490lm
 Delivered lumen: 450lm
 Efficacy: 56lm/W
 Colour temp.: 4000K
 Beam angle: 40°

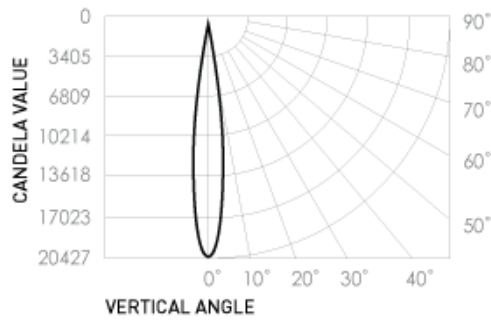
Special Order Products



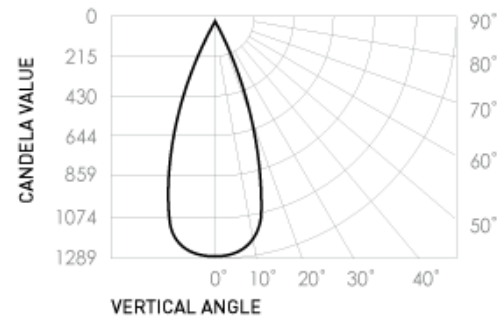
Source lumen output: 470lm
 Delivered lumen: 430lm
 Efficacy: 54lm/W
 Colour temp.: 2700K (Special Order)
 Beam angle: 10°



Source lumen output: 470lm
 Delivered lumen: 430lm
 Efficacy: 54lm/W
 Colour temp.: 2700K (Special Order)
 Beam angle: 40°



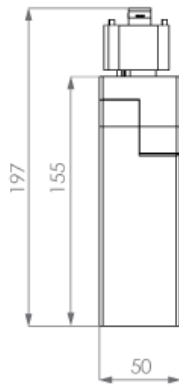
Source lumen output: 535lm
 Delivered lumen: 490lm
 Efficacy: 61lm/W
 Colour temp.: 5000K (Special Order)
 Beam angle: 10°



Source lumen output: 535lm
 Delivered lumen: 490lm
 Efficacy: 61lm/W
 Colour temp.: 5000K (Special Order)
 Beam angle: 40°

Dimensions (mm)

Front view



Side view



Electrical

Input voltage: 220-240V	Power usage: 8W	Driver power factor: >0.9	IP rating: IP44	Surge protection: 3100V
Dimmable: Yes	Driver: BG-009BD-1000mA			

Operational

Operating temp.: -30 to 85°C	Average temp.: 60°C	Ambient temp.: -28 to 50°C	Lifetime L70, B10: 50,000 hrs (@TA25)	Source Lumens: 480lm or 490lm or 470lm or 535lm
--	-------------------------------	--------------------------------------	---	--

Physical

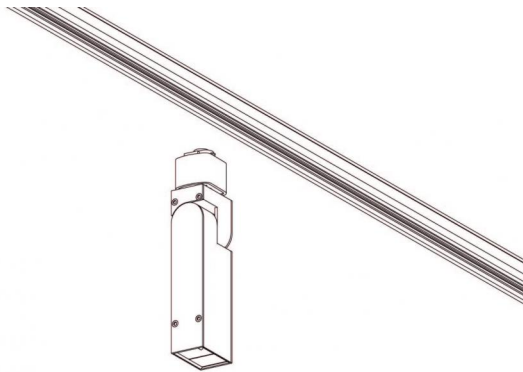
Gimbal angle: 90°/360°	Warranty: 7 years	Type: H-Track or Eurotrack
----------------------------------	-----------------------------	--------------------------------------

Compatibility

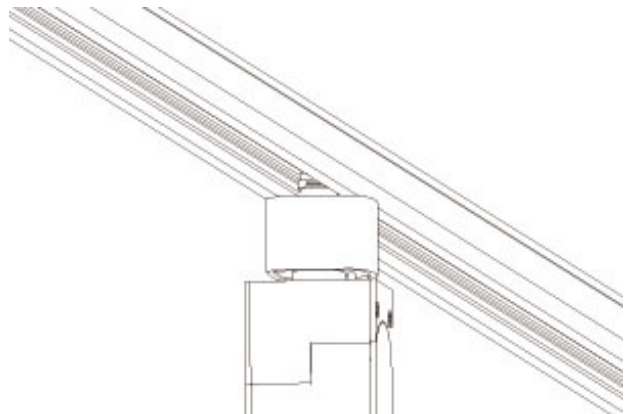
Recommended Dimmers:
"Compatible with leading home automation systems and dimmers.
Recommended Dimmers:
Universal, Trailing Edge, Leading Edge.

*For more details please refer to:
<https://brightgreen.com/digital-driver>
All systems are unique, please
call 1300 672 499 for advice on your installation."

Installation

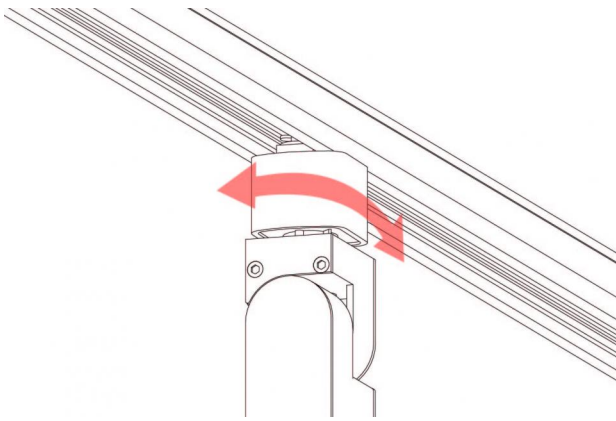


Step 1
Align the track connector with the track.



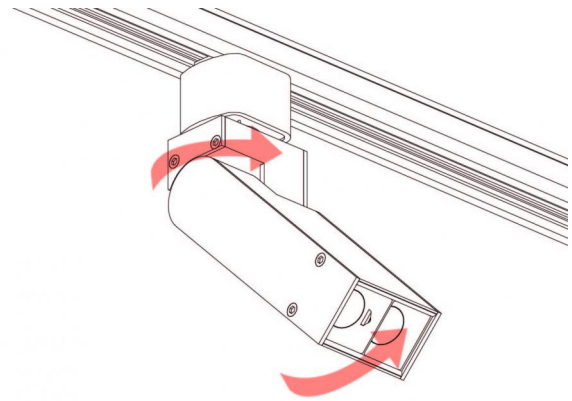
Step 2
Insert the fitting into the track channel.

Installation



Step 3

Twist the track base in order to lock the fitting into the track channel. The direction of the twist is dependent on where the contact points are in the track.



Step 4

Once the light is locked into the track, orient the luminaire to focus the light as required.