

W200.SX-CB LED wall light

Datasheet

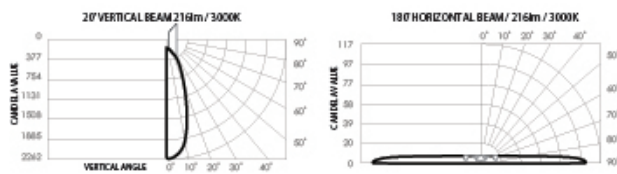


Product codes

Unit: W200.SX	Series: CB	Colour temp.: 3K	Beam angle (°): 180.20	Colour: S (Silver) W (White)
-------------------------	----------------------	----------------------------	----------------------------------	---

Photometrics

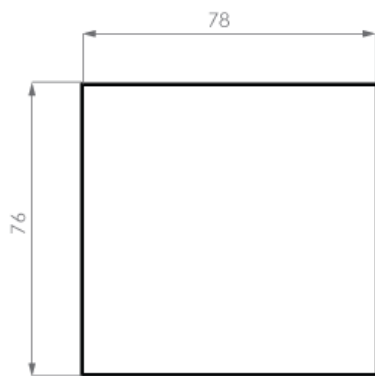
Standard Products



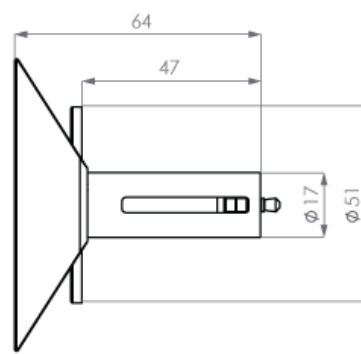
Source lumen output: 360lm
Delivered lumen: 200lm
Efficacy: 33lm/W
Colour temp.: 3000K
Beam angle: 180/20°

Dimensions (mm)

Front view



Side view



Electrical

Input voltage: 48V	Power usage: 6W	Driver power factor: >0.9	IP rating: IP22	Surge protection: 3100V
AC Cable length: 1.5m	Dimmable: No	Driver: BG-030ND-830mA (sold separately)		

Operational

Operating temp.: -30 to 81°C	Average temp.: 56°C	Ambient temp.: -28 to 70°C	Lifetime L70, B10: 40,000 hrs (@TA25)	Source Lumens: 360lm
--	-------------------------------	--------------------------------------	---	--------------------------------

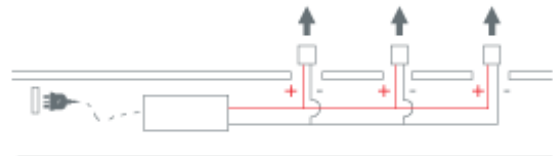
Physical

Gimbal angle: 30° Universal	Warranty: 7 years
---------------------------------------	-----------------------------

Compatibility

Recommended Dimmers:
BG-030ND - 30W compact, non-dimmable driver available. Compatible with 1-2 W900.SX and/or 1-4 W200.SX

Installation



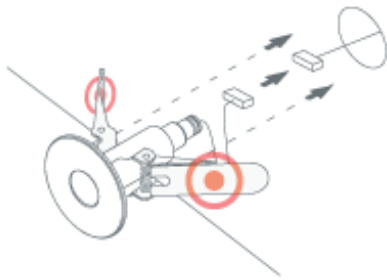
Step 1

Using a 44mm hole saw, cut a cavity in the wall at the desired installation location.

Step 2

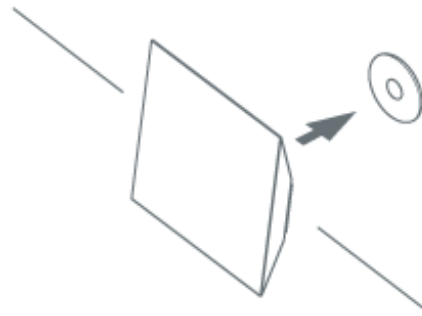
Remotely mount the BG-030ND driver (not included) and plug into a mounted general power outlet (GPO) in the wall. Note: You can use 1 driver to power 2 units. Wire the driver to the power cable and thread through the wall. Where necessary, daisy chain in parallel multiple luminaires (Max. recommended cable distance between the driver and luminaire is 1.5m)

Installation



Step 3

Connect the flying lead from the W200 SX Cube base to the low voltage luminaire cable. Pull back the springs and insert the luminaire into the wall cavity



Step 4

Insert W200 SX Cube luminaire into its base until the unit clicks into position.