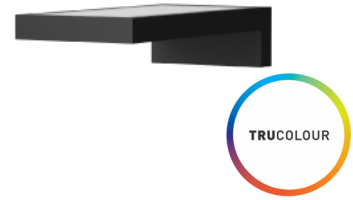


# W900.IPS Cube LED wall light

## Datasheet

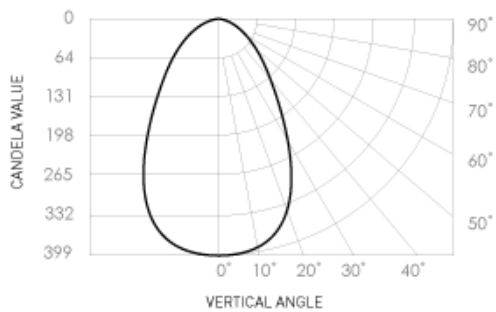


### Product codes

<b>Unit:</b> W900.IPS	<b>Series:</b> CB	<b>Colour temp.:</b> 3K	<b>Beam angle (°):</b> 110	<b>Colour:</b> GM (Gun Metal )
--------------------------	----------------------	----------------------------	-------------------------------	-----------------------------------

### Photometrics

#### Standard Products



Source lumen output: 1115lm

Delivered lumen: 1070lm

Efficacy: 56lm/W

Colour temp.: 3000K

Beam angle: 110°

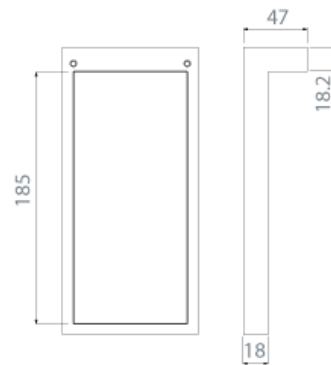
## Dimensions (mm)

---

Front view



Side view



## Electrical

<b>Input voltage:</b> 220-240V	<b>Power usage:</b> 19.2W	<b>Driver power factor:</b> 0.95	<b>IP rating:</b> IP54	<b>Surge protection:</b> Yes
<b>Dimmable:</b> No				

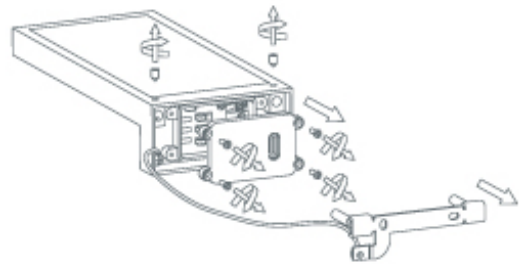
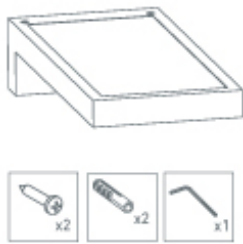
## Operational

<b>Average temp.:</b> 65°C	<b>Ambient temp.:</b> -28 to 60°C	<b>Lifetime L70, B10:</b> 70,000 hrs (@TA25)	<b>Source Lumens:</b> 1115lm
-------------------------------	--------------------------------------	---	---------------------------------

## Physical

<b>Gimbal angle:</b> N/A	<b>Warranty:</b> 3 years
-----------------------------	-----------------------------

## Installation



### Step 1

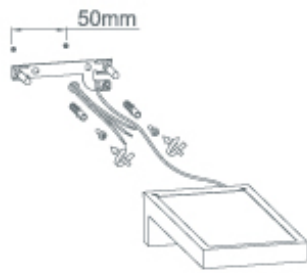
Ensure the product comes with supplied accessories:

- 2x philips head screw with o-ring washer
- 2x wall plugs
- 1x allen key

### Step 2

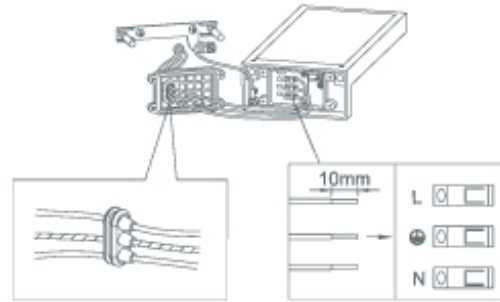
Unscrew the 2 grub screws from the top of the luminaire housing to release the base plate and junction box.

## Installation



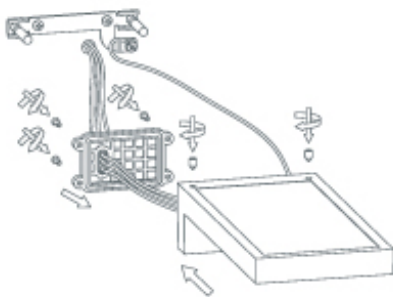
### Step 3

Thread the power cable through the base plate, use the base plate as a guide to drill 2 pilot holes for the wall plugs. Once wall plugs have been pressed into the wall fasten the base plate to the wall using the screws provided



### Step 4

Connect the mains power cable to the terminal block.



### Step 5

Insert the junction box back into the luminaire housing and secure using the grub screws. Then position the luminaire housing back to base plate and secure by putting back the grub screws on top.



### Step 6

Installation complete